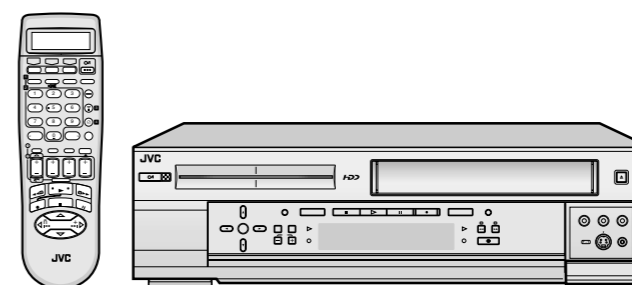


SERVICE MANUAL

MAGNETOSCOPE DISQUE DUR ET S-VHS

HM-HDS1MS



Regarding service information other than these sections, refer to the HM-HDS1EU service manual (No. 82887). Also, be sure to note important safety precautions provided in the service manual.

CARACTÉRISTIQUES TECHNIQUES (The specifications shown pertain specifically to the model HM-HDS1MS)

GÉNÉRALES

Alimentation : CA 220 V - 240 V ~ , 50 Hz/60 Hz
 Consommation :
 Alimentation en marche : 41 W
 Alimentation en veille : 16 W
 Températures
 Fonctionnement : 5°C à 40°C
 Stockage : -20°C à 60°C
 Position de fonctionnement : Seulement horizontale
 Dimensions (LxHxP) : 435 mm x 124 mm x 385 mm
 Poids : 7,7 kg
 Entrée/sortie : Connecteurs péritelévision à 21 broches:
 ENTREE/SORTIE x 1,
 ENTREE/DECODEUR x 1
 Connecteurs RCA:
 ENTREE VIDEO x 1,
 ENTREE AUDIO x 1,
 SORTIE AUDIO x 1
 Connecteurs S-Vidéo:
 ENTREE x 1, SORTIE x 1

VIDEO/AUDIO SUR LA PLATINE DISQUE DUR

Format vidéo : MPEG2 (VBR)
 Format audio : MPEG1 Couche2
 Durée maximale d'enregistrement (environ)
 (SP) : 14 heures
 (LP) : 20 heures
 (EP) : 28 heures
 (SEP) : 40 heures

VIDEO/AUDIO SUR LA PLATINE VHS

Système de signal : Signaux couleur PAL/SECAM et signal monochrome
 CCIR, 625 lignes/50 trames
 Système d'enregistrement : Balayage hélicoïdal DA4 (Double Azimuth)
 Format : Standard S-VHS/VHS PAL/SECAM
 Entrée : 0,5 Vcc à 2,0 Vcc, 75 ohms, asymétrique
 Sortie : 1,0 Vcc, 75 ohms, asymétrique
 Rapport signal/bruit : 45 dB
 Résolution horizontale : 400 lignes (S-VHS-PAL, VN/LD)
 250 lignes (VHS-PAL, VN/LD)
 350 lignes (S-VHS-PAL, EP)
 220 lignes (VHS-PAL, EP)
 240 lignes (VHS-SECAM, VN)
 Gamme de fréquence : 70 Hz à 10.000 Hz (Audio normal)
 20 Hz à 20.000 Hz (Audio Hi-Fi)
 Largeur de bande : 12,65 mm
 Vitesse de bande : 23,39 mm/s
 (VN) : 11,70 mm/s
 (LD) : 7,80 mm/s
 (EP)*

Durée maximale d'enregistrement
 (VN) : 240 mn avec une cassette vidéo E-240
 (LD) : 480 mn avec une cassette vidéo E-240
 (EP)* : 720 mn avec une cassette vidéo E-240
 * Signaux PAL seulement

SYNTONISEUR/MINUTERIE

Système de syntonisation : Syntoniseur à synthèse de fréquence
 Capacité de canaux TV : 99 positions (+ position AUX)
 Canaux couverts

| Gamme | SECAM L | | PAL B/G | |
|------------|----------------------|----------------|----------------------|--|
| | Fréquence | Canaux | Fréquence | Canaux |
| VHF (LOW) | 49 MHz - 65 MHz | 2 - 4 | 47 MHz - 89 MHz | E2 - E4 X, Y, Z |
| VHF (HIGH) | 104 MHz - 300 MHz | 5 - 10 CATV | 104 MHz - 300 MHz | E5 - E12 S1 - S20 M1 - M10 U1 - U10 |
| Hyper | 300 MHz - 470 MHz | CATV | 302 MHz - 470 MHz | S21 - S41 |
| UHF | 470 MHz - 862 MHz | 21 - 69 | 470 MHz - 862 MHz | E21 - E69 |

MINUTERIE

Référence de l'horloge : Par quartz
 Capacité de programmation : Minuterie sur 1 an/16 programmes
 Durée de soutien mémoire : Environ 60 mn

ACCESSOIRES

Accessoires fournis : Câble RF,
 Câble péritelévision à 21 broches,
 Contrôleur satellite,
 Boîtier de télécommande à infrarouge,
 Pile "R6" x 2

Les caractéristiques techniques sont pour le mode VN à moins d'indication contraire. Présentation et caractéristiques modifiables sans préavis.

ATTENTION
 Ce magnétoscope contient des microprocesseurs. Des bruits électroniques externes ou des interférences peuvent causer un mauvais fonctionnement. Dans de tels cas, couper l'alimentation et débrancher le cordon d'alimentation. Puis le rebrancher et remettre l'alimentation. Sortir la cassette. Après contrôle de la cassette, faire fonctionner l'appareil comme d'ordinaire.

Hard Disk Drive (HDD)

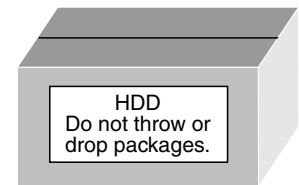
1. Hard Disk Drive (HDD) Handling Precautions

The HDD is a precision device for use in reading and writing a large amount of data on or from a disk rotating at a high speed. If it is not handled carefully, either abnormal operation may result or it may not be possible to read data. The HDD is sensitive to the following items and special care is required in safeguarding against them when handling an HDD. Also take care in handling a set incorporating an HDD.

1. Vibrations and impacts
2. Static electricity
3. Rough handling

1.1 Handling in transport, etc.

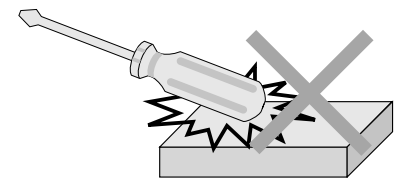
- Be sure to place the HDD in the manufacturer's specified package carton before transport.
- When receiving a package containing an HDD, check that the package carton is not damaged (such as having holes in the carton, crushed corners, etc.).
- Do not impact the packaging carton when loading or unloading it.
- It is not permitted to use the inner package carton only for transporting an HDD.
- Do not stack package cartons one upon another.



Be sure to package and transport the HDDs correctly.

1.2 Handling an HDD in the stand-alone status

- When handling an HDD on a hard workbench, place an antistatic mat (rubber sheet) or similar object on the hard surface (to prevent any impacts occurring between the HDD and bench).
- Do not stack the HDDs one upon another.
- Do not knock an HDD with a hard object (such as a screwdriver).
- Do not place an HDD on its side panel without using a support (do not place an HDD in an unstable position).



1.3 Handling the installation of an HDD

- Place antistatic mats or similar sheets on all of the surfaces on which work is conducted or when the HDD is transported.
- Do not permit the HDD to knock against the set's brackets.
- When screwing the brackets, be careful not to knock the HDD. When using a power screwdriver, use a low-shock model and arrange the tightening torque properly.
- When mounting an HDD in a HDD/VHS DUAL RECORDER, take care not to apply excessive force to the brackets.

2. In Case of an HDD Failure

When a HDD/VHS DUAL RECORDER AC cord is plugged into a power outlet, the boot loader is read from the IC8204 (8M FLASH ROM), which activates the HDD and reads the system files in the HDD before getting ready for operation. In consequence, the HDD/VHS DUAL RECORDER cannot be turned on if the HDD fails.

In case a failure of the HDD is in doubt, use the following procedure to switch the main power of the set ON using the VHS section alone, by bypassing the HDD operation check.

- (1) With the HDD/VHS DUAL RECORDER in the remote control standby status, transmit code AE from the remote jig for more than 2 seconds.
- (2) The REC LINK button on the HDD/VHS DUAL RECORDER blinks, indicating that the power supply can be switched ON.
- (3) When the code AE is transmitted again from the remote jig, the button stops blinking and its function is canceled.

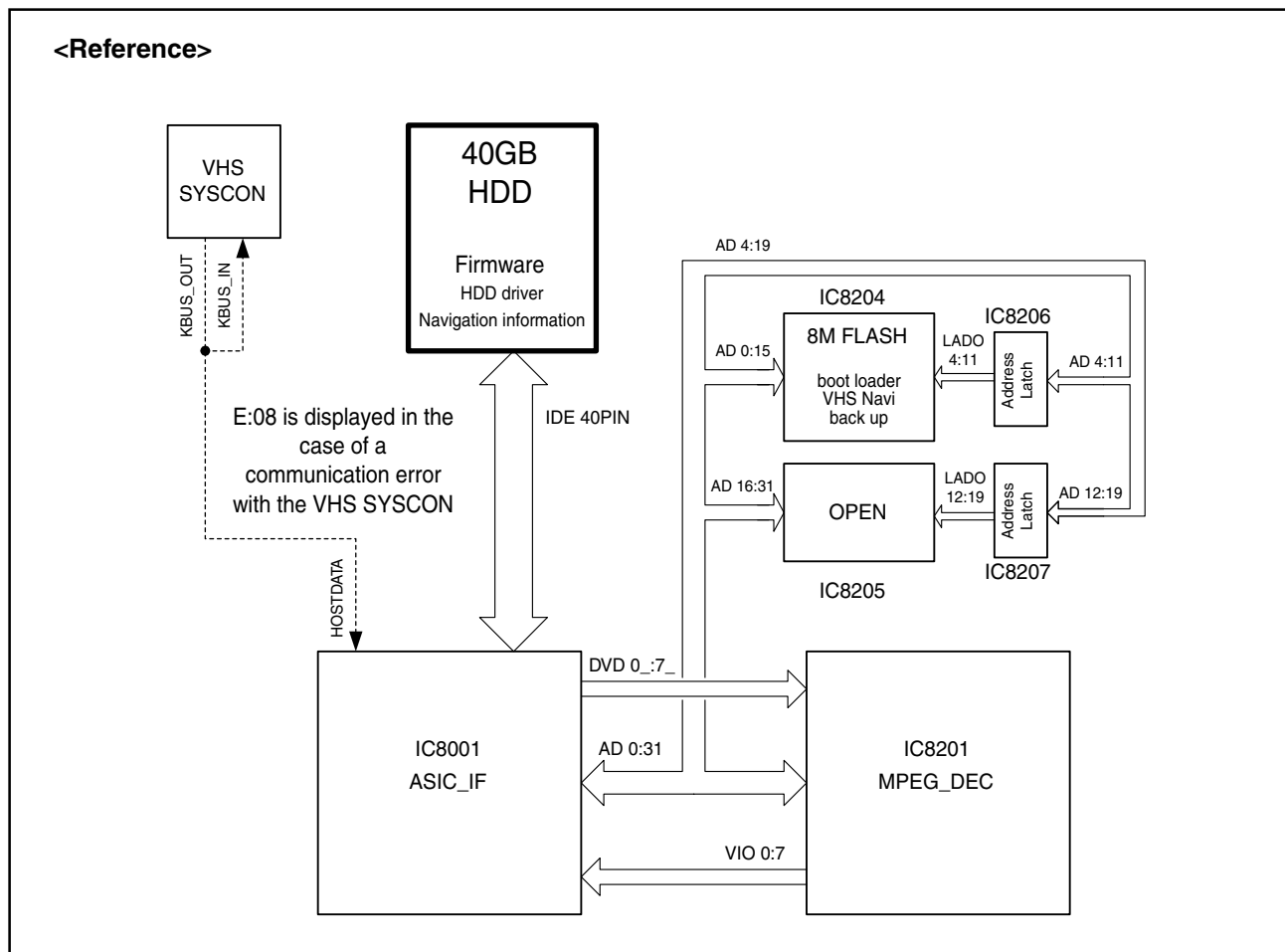
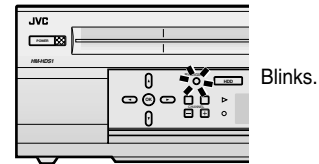
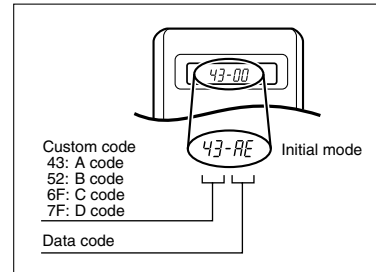


TABLE OF CONTENTS

| Section | Title | Page | Section | Title | Page |
|---|-------|------|--|-------|------|
| Hard Disk Drive (HDD) | | | 3. ELECTRICAL ADJUSTMENT (VHS) | | |
| Important Safety Precautions | | | 3.1 PRECAUTION | | 3-1 |
| INSTRUCTIONS | | | 3.1.1 Required test equipments | | 3-1 |
| 1. DISASSEMBLY | | | 3.1.2 Required adjustment tools | | 3-1 |
| 1.1 HOW TO REMOVE THE MAJOR PARTS | | 1-1 | 3.1.3 Color (colour) bar signal,Color (colour) bar pattern | | 3-1 |
| 1.1.1 Introduction | | 1-1 | 3.1.4 Switch settings and standard precautions | | 3-1 |
| 1.2 HOW TO READ THE DISASSEMBLY AND ASSEMBLY | | 1-1 | 3.1.5 EVR Adjustment | | 3-1 |
| 1.3 DISCONNECTION OF CONNECTORS (WIRES) | | 1-1 | 3.2 SERVO CIRCUIT | | 3-2 |
| 1.4 SCREWS USED CABINET COMPONENTS AND BOARD ASSEMBLIES | | 1-1 | 3.2.1 Switching point | | 3-2 |
| 1.5 HOW TO REMOVE THE MAJOR PARTS <COM section> | | 1-2 | 3.2.2 Slow tracking preset | | 3-2 |
| 1.5.1 Disassembly flow chart | | 1-2 | 3.3 VIDEO CIRCUIT | | 3-2 |
| 1.5.2 Disassembly/assembly method <COM section> | | 1-2 | 3.3.1 D/A level | | 3-2 |
| 1.6 HOW TO REMOVE THE MAJOR PARTS <VHS section> | | 1-4 | 3.3.2 EE Y level | | 3-3 |
| 1.6.1 Disassembly flow chart | | 1-4 | 3.3.3 PB Y level (S-VHS / VHS) | | 3-3 |
| 1.6.2 Disassembly/assembly method <VHS section> | | 1-4 | 3.3.4 REC color (colour) level | | 3-3 |
| Hard Disk Drive (HDD) Handling Precautions | | 1-6 | 3.3.5 Video EQ (Frequency response) | | 3-4 |
| 1.7 HOW TO REMOVE THE MAJOR PARTS <HDD section> | | 1-6 | 3.3.6 AUTO PICTURE initial setting | | 3-4 |
| 1.7.1 Disassembly flow chart | | 1-6 | 3.4 DIGITAL CIRCUIT | | 3-4 |
| 1.7.2 Disassembly/assembly method <HDD section> | | 1-6 | 3.4.1 HDD EE Y level | | 3-4 |
| 1.8 SERVICE POSITIONS | | 1-7 | 3.4.2 HDD PB Y level | | 3-5 |
| 1.8.1 Service position <VHS SIDE> | | 1-7 | 3.4.3 HDD PB C burst level | | 3-5 |
| 1.8.2 Service position <HDD SIDE> | | 1-8 | 3.5 AUDIO CIRCUIT | | 3-5 |
| 1.9 MECHANISM SERVICE MODE | | 1-9 | 3.5.1 Audio REC FM | | 3-5 |
| 1.9.1 How to set the "MECHANISM SERVICE MODE" | | 1-9 | 3.6 SECAM/PAL CONVERTER CIRCUIT | | 3-6 |
| 1.10 CONNECTION | | 1-10 | 3.6.1 FH SYNC position | | 3-6 |
| 1.11 EMERGENCY DISPLAY FUNCTION | | 1-12 | 3.6.2 FH VCO | | 3-6 |
| 1.11.1 Displaying the emergency information | | 1-12 | 3.6.3 DEMOD Fo | | 3-6 |
| 1.11.2 Clearing the emergency history | | 1-12 | 3.6.4 Colour difference level | | 3-7 |
| 1.11.3 Emergency content description | | 1-13 | 4. CHARTS AND DIAGRAMS | | |
| 1.11.4 Emergency detail information ① | | 1-14 | Refer to MANUAL No. 82887. | | |
| 1.11.5 Emergency detail information ② | | 1-15 | < HM-HDS1EU/EK > | | |
| 2. MECHANISM ADJUSTMENT (VHS) | | | 4.39 S/P CONVERTER CIRCUIT BOARD | | 4-1 |
| 2.1 Before starting repair and adjustment | | 2-1 | 4.40 SECAM SCHEMATIC DIAGRAM | | 4-2 |
| 2.1.1 Precautions | | 2-1 | 4.41 S/P CONVERTER SCHEMATIC DIAGRAM | | 4-4 |
| 2.1.2 Checking for proper mechanical operations | | 2-1 | 5. PARTS LIST | | |
| 2.1.3 Manually removing the cassette tape | | 2-1 | 5.1 PACKING AND ACCESSORY ASSEMBLY <M1> | | 5-1 |
| 2.1.4 Jigs and tools required for adjustment | | 2-2 | 5.2 FINAL ASSEMBLY <M2> | | 5-2 |
| 2.1.5 Maintenance and inspection | | 2-3 | 5.3 MECHANISM ASSEMBLY <M4> | | 5-4 |
| 2.2 Replacement of major parts | | 2-6 | 5.4 ELECTRICAL PARTS LIST | | 5-6 |
| 2.2.1 Before starting disassembling (Phase matching between mechanical parts) | | 2-6 | SW.REG BOARD ASSEMBLY <01> | | 5-6 |
| 2.2.2 How to set the "Mechanism assembling mode" | | 2-6 | REG BOARD ASSEMBLY <02> | | 5-7 |
| 2.2.3 Cassette holder assembly | | 2-6 | MAIN BOARD ASSEMBLY <03> | | 5-8 |
| 2.2.4 Pinch roller arm assembly | | 2-8 | 3D DIGITAL/2M BOARD ASSEMBLY <05> | | 5-16 |
| 2.2.5 Guide arm assembly and press lever assembly | | 2-8 | TERMINAL BOARD ASSEMBLY <06> | | 5-17 |
| 2.2.6 A/C head | | 2-8 | A/C HEAD BOARD ASSEMBLY <12> | | 5-19 |
| 2.2.7 Loading motor | | 2-8 | DEMOD BOARD ASSEMBLY <14> | | 5-19 |
| 2.2.8 Capstan motor | | 2-9 | S-SUB BOARD ASSEMBLY <15> | | 5-20 |
| 2.2.9 Pole base assembly (supply or take-up side) | | 2-9 | ON SCREEN BOARD ASSEMBLY <17> | | 5-21 |
| 2.2.10 Rotary encoder | | 2-10 | EJECT SW BOARD ASSEMBLY <27> | | 5-21 |
| 2.2.11 Clutch unit | | 2-10 | SW/DISPLAY BOARD ASSEMBLY <28> | | 5-21 |
| 2.2.12 Change lever assembly, direct gear, clutch gear and coupling gear | | 2-10 | JACK BOARD ASSEMBLY <36> | | 5-22 |
| 2.2.13 Link lever | | 2-11 | LED/SW BOARD ASSEMBLY <47> | | 5-23 |
| 2.2.14 Cassette gear, control cam and worm gear | | 2-11 | DIGITAL SUB BOARD ASSEMBLY <49> | | 5-23 |
| 2.2.15 Control plate | | 2-11 | DIGITAL BOARD ASSEMBLY <50> | | 5-23 |
| 2.2.16 Loading arm gear (supply or take-up side) and loading arm gear shaft | | 2-12 | LOADING MOTOR BOARD ASSEMBLY <55> | | 5-27 |
| 2.2.17 Take-up lever, take-up head and control plate guide | | 2-13 | S/P CONVERTER BOARD ASSEMBLY <87> | | 5-27 |
| 2.2.18 Capstan brake assembly | | 2-13 | LED BOARD ASSEMBLY <90> | | 5-29 |
| 2.2.19 Sub brake assembly (take-up side) | | 2-13 | | | |
| 2.2.20 Main brake assembly (take-up side), reel disk (take-up side) and main brake assembly (supply side) | | 2-13 | | | |
| 2.2.21 Tension brake assembly, reel disk (supply side) and tension arm assembly | | 2-14 | | | |
| 2.2.22 Idler lever, idler arm assembly | | 2-14 | | | |
| 2.2.23 Stator assembly | | 2-14 | | | |
| 2.2.24 Rotor assembly | | 2-14 | | | |
| 2.2.25 Upper drum assembly | | 2-15 | | | |
| 2.3 Compatibility adjustment | | 2-16 | | | |
| 2.3.1 FM waveform linearity | | 2-16 | | | |
| 2.3.2 Height and tilt of the A/C head | | 2-17 | | | |
| 2.3.3 A/C head phase (X-value) | | 2-17 | | | |
| 2.3.4 Standard tracking preset | | 2-18 | | | |
| 2.3.5 Tension pole position | | 2-18 | | | |

The following table lists the differing points between Models (HM-HDS1EU and HM-HDS1MS) in this series.

| | HM-HDS1EU | HM-HDS1MS |
|-----------------------|---------------------|---|
| VIDEO SYSTEM | PAL/MESECAM(MANUAL) | PAL/MESECSM PB/SECAM SECAM→PAL CONVERTER |
| BROADCASTING STANDARD | B/G,D/K | L,L',B/G |
| VPS(AUTO) | USED | NOT USED |

Important Safety Precautions

Prior to shipment from the factory, JVC products are strictly inspected to conform with the recognized product safety and electrical codes of the countries in which they are to be sold. However, in order to maintain such compliance, it is equally important to implement the following precautions when a set is being serviced.

● Precautions during Servicing

1. Locations requiring special caution are denoted by labels and inscriptions on the cabinet, chassis and certain parts of the product. When performing service, be sure to read and comply with these and other cautionary notices appearing in the operation and service manuals.

2. Parts identified by the \triangle symbol and shaded () parts are critical for safety.

Replace only with specified part numbers.

Note: Parts in this category also include those specified to comply with X-ray emission standards for products using cathode ray tubes and those specified for compliance with various regulations regarding spurious radiation emission.

3. Fuse replacement caution notice.
Caution for continued protection against fire hazard.
Replace only with same type and rated fuse(s) as specified.

4. Use specified internal wiring. Note especially:

- 1) Wires covered with PVC tubing
- 2) Double insulated wires
- 3) High voltage leads

5. Use specified insulating materials for hazardous live parts. Note especially:

- | | | |
|--------------------|--------------------------------------|------------|
| 1) Insulation Tape | 3) Spacers | 5) Barrier |
| 2) PVC tubing | 4) Insulation sheets for transistors | |

6. When replacing AC primary side components (transformers, power cords, noise blocking capacitors, etc.) wrap ends of wires securely about the terminals before soldering.

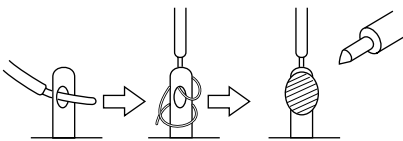


Fig.1

7. Observe that wires do not contact heat producing parts (heatsinks, oxide metal film resistors, fusible resistors, etc.)

8. Check that replaced wires do not contact sharp edged or pointed parts.

9. When a power cord has been replaced, check that 10-15 kg of force in any direction will not loosen it.

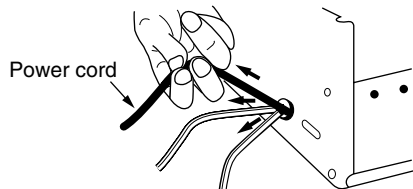


Fig.2

10. Also check areas surrounding repaired locations.

11. Products using cathode ray tubes (CRTs)
In regard to such products, the cathode ray tubes themselves, the high voltage circuits, and related circuits are specified for compliance with recognized codes pertaining to X-ray emission. Consequently, when servicing these products, replace the cathode ray tubes and other parts with only the specified parts. Under no circumstances attempt to modify these circuits. Unauthorized modification can increase the high voltage value and cause X-ray emission from the cathode ray tube.

12. Crimp type wire connector

In such cases as when replacing the power transformer in sets where the connections between the power cord and power transformer primary lead wires are performed using crimp type connectors, if replacing the connectors is unavoidable, in order to prevent safety hazards, perform carefully and precisely according to the following steps.

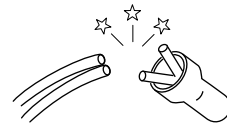
1) Connector part number : E03830-001

2) Required tool : Connector crimping tool of the proper type which will not damage insulated parts.

3) Replacement procedure

(1) Remove the old connector by cutting the wires at a point close to the connector.

Important : Do not reuse a connector (discard it).



cut close to connector

Fig.3

(2) Strip about 15 mm of the insulation from the ends of the wires. If the wires are stranded, twist the strands to avoid frayed conductors.

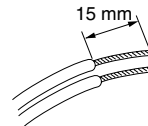


Fig.4

(3) Align the lengths of the wires to be connected. Insert the wires fully into the connector.

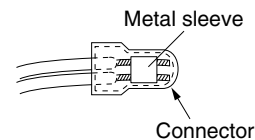


Fig.5

(4) As shown in Fig.6, use the crimping tool to crimp the metal sleeve at the center position. Be sure to crimp fully to the complete closure of the tool.

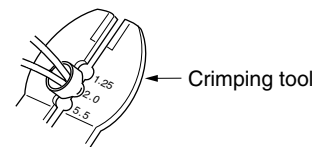


Fig.6

(5) Check the four points noted in Fig.7.

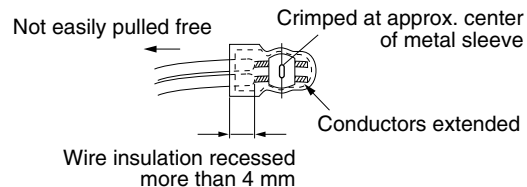


Fig.7

● Safety Check after Servicing

Examine the area surrounding the repaired location for damage or deterioration. Observe that screws, parts and wires have been returned to original positions. Afterwards, perform the following tests and confirm the specified values in order to verify compliance with safety standards.

1. Insulation resistance test

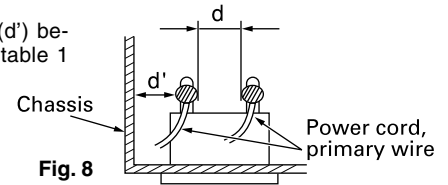
Confirm the specified insulation resistance or greater between power cord plug prongs and externally exposed parts of the set (RF terminals, antenna terminals, video and audio input and output terminals, microphone jacks, earphone jacks, etc.). See table 1 below.

2. Dielectric strength test

Confirm specified dielectric strength or greater between power cord plug prongs and exposed accessible parts of the set (RF terminals, antenna terminals, video and audio input and output terminals, microphone jacks, earphone jacks, etc.). See table 1 below.

3. Clearance distance

When replacing primary circuit components, confirm specified clearance distance (d), (d') between soldered terminals, and between terminals and surrounding metallic parts. See table 1 below.

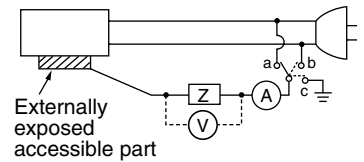


4. Leakage current test

Confirm specified or lower leakage current between earth ground/power cord plug prongs and externally exposed accessible parts (RF terminals, antenna terminals, video and audio input and output terminals, microphone jacks, earphone jacks, etc.).

Measuring Method : (Power ON)

Insert load Z between earth ground/power cord plug prongs and externally exposed accessible parts. Use an AC voltmeter to measure across both terminals of load Z. See figure 9 and following table 2.

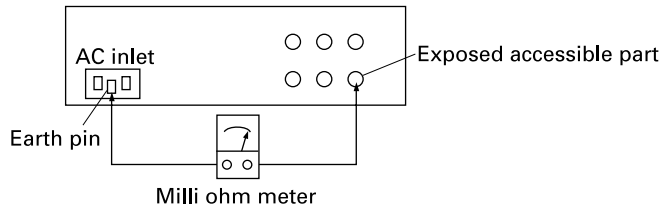


5. Grounding (Class 1 model only)

Confirm specified or lower grounding impedance between earth pin in AC inlet and externally exposed accessible parts (Video in, Video out, Audio in, Audio out or Fixing screw etc.).

Measuring Method:

Connect milli ohm meter between earth pin in AC inlet and exposed accessible parts. See figure 10 and grounding specifications.



Grounding Specifications

| Region | Grounding Impedance (Z) |
|--------------------|--------------------------|
| USA & Canada | $Z \leq 0.1 \text{ ohm}$ |
| Europe & Australia | $Z \leq 0.5 \text{ ohm}$ |

| AC Line Voltage | Region | Insulation Resistance (R) | Dielectric Strength | Clearance Distance (d), (d') |
|------------------------------|--------------------|---|---|---|
| 100 V | Japan | $R \geq 1 \text{ M}\Omega/500 \text{ V DC}$ | AC 1 kV 1 minute | $d, d' \geq 3 \text{ mm}$ |
| 100 to 240 V | | | AC 1.5 kV 1 minute | $d, d' \geq 4 \text{ mm}$ |
| 110 to 130 V | USA & Canada | $1 \text{ M}\Omega \leq R \leq 12 \text{ M}\Omega/500 \text{ V DC}$ | AC 1 kV 1 minute | $d, d' \geq 3.2 \text{ mm}$ |
| 110 to 130 V 200 to 240 V | Europe & Australia | $R \geq 10 \text{ M}\Omega/500 \text{ V DC}$ | AC 3 kV 1 minute (Class II) AC 1.5 kV 1 minute (Class I) | $d \geq 4 \text{ mm}$ $d' \geq 8 \text{ mm}$ (Power cord) $d' \geq 6 \text{ mm}$ (Primary wire) |

Table 1 Specifications for each region

| AC Line Voltage | Region | Load Z | Leakage Current (i) | a, b, c |
|------------------------------|--------------------|-----------------|--|--------------------------|
| 100 V | Japan | 1 kΩ | $i \leq 1 \text{ mA rms}$ | Exposed accessible parts |
| 110 to 130 V | USA & Canada | 0.15 μF, 1.5 kΩ | $i \leq 0.5 \text{ mA rms}$ | Exposed accessible parts |
| 110 to 130 V 220 to 240 V | Europe & Australia | 2 kΩ | $i \leq 0.7 \text{ mA peak}$ $i \leq 2 \text{ mA dc}$ | Antenna earth terminals |
| | | 50 kΩ | $i \leq 0.7 \text{ mA peak}$ $i \leq 2 \text{ mA dc}$ | Other terminals |

Table 2 Leakage current specifications for each region

Note: These tables are unofficial and for reference only. Be sure to confirm the precise values for your particular country and locality.

SECTION 1 DISASSEMBLY

1.1 HOW TO REMOVE THE MAJOR PARTS

1.1.1 Introduction

This set is a double-deck video recorder integrating a HDD (Hard Disk Drive) and a VHS deck. Its internal structure is divided into three sections that include the power supply, VHS and HDD sections. Therefore, the removal of major parts will also be described under three separate sections as listed below.

1. COMMON section
2. VHS section
3. HDD section

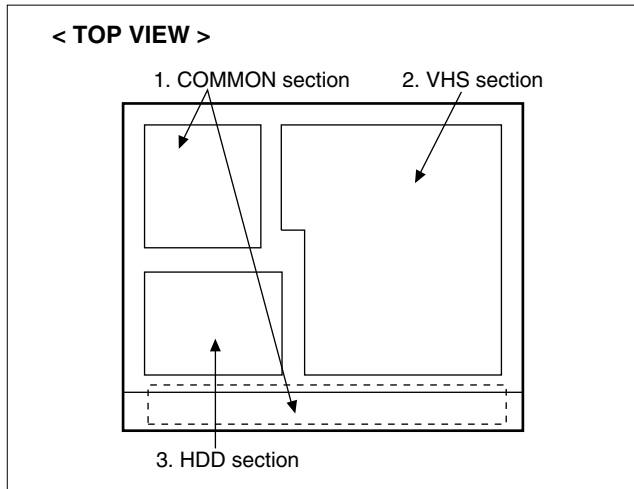


Fig. 1-1-1

1.2 HOW TO READ THE DISASSEMBLY AND ASSEMBLY

| Step/ Loc No. | Part name | Fig. No. | Point | Note |
|------------------|----------------------|----------|---------------------------------------|-------------------|
| ① | Top cover, Bracket | COM1 | 4(S1), 3(S2), 2(L1), (L2) 2(S3) | — |
| ② | Front panel assembly | COM2 | 8(L3), CN7507(WR1), CN3011(WR2) | <Note 1,2,3,4> |

- ↑ ↑ ↑ ↑ ↑
 (1) (2) (3) (4) (5)

- (1) Order of steps in Procedure
When reassembling, perform the step(s) in the reverse order. These numbers are also used as the identification (location) No. of parts Figures.
- (2) Part name to be removed or installed.
- (3) Fig. No. showing procedure or part location.
- (4) Identification of part to be removed, unhooked, unlocked, released, unplugged, unclamped or unsoldered.
P= Spring, W= Washer, S= Screw, L= Locking tab, SD= Solder, CN**(WR**)= Remove the wire (WR**) from the connector (CN**).

Note:

- The bracketed () WR of the connector symbol are assigned nos. in priority order and do not correspond to those on the spare parts list.

- (5) Adjustment information for installation

1.3 DISCONNECTION OF CONNECTORS (WIRES)

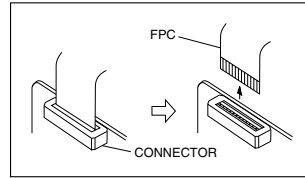


Fig. 1-3-1

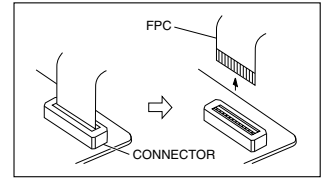


Fig. 1-3-2

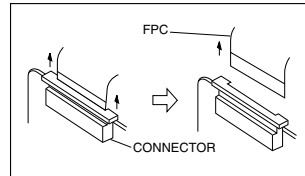


Fig. 1-3-3

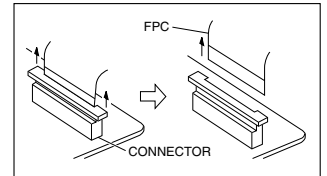


Fig. 1-3-4

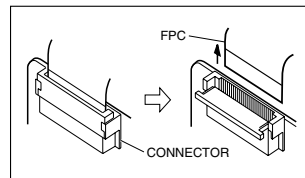


Fig. 1-3-5

1.4 SCREWS USED CABINET COMPONENTS AND BOARD ASSEMBLIES

Table 1-4-1 below shows the symbols, shapes, colors and part numbers of screw that are used in the cabinet components and board assemblies and are appearing in the disassembling/reassembling diagrams in this manual.

When screwing them again in reassembling, be sure to use them correctly referring to the following table.

Notes:

- Screw that are asterisked (marked with*) in the shape column are fixed with screw lock agent. If such the screw is once removed, never use it again.
- The Screw symbols are assigned nos. in priority order and do not correspond to those on the spare parts list.

| SYMBOL | PARTS NO. | COLOR |
|--------|--------------|--------------|
| S1 | QYTDST3006R | SILVER BLACK |
| S2 | QYTDST3006M | BLACK |
| S3 | QYTDSF3010Z | GOLD |
| S4 | QYTDSF2606Z | GOLD |
| S5 | QYTDST3006Z | GOLD |
| S6 | QYTDSF3008M | BLACK |
| S7 | QYTDST2610Z | GOLD |
| S8 | PQ40413 | BLACK |
| S9 | LP40700-001A | BLACK |
| S10 | LP40738-001A | GOLD |

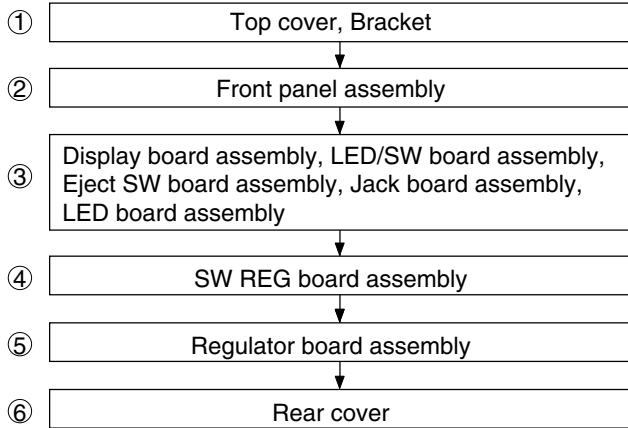
Table 1-4-1

1.5 HOW TO REMOVE THE MAJOR PARTS <COM section>

1.5.1 Disassembly flow chart

This flowchart shows the disassembly procedure for the exterior parts and electrical parts.

Basically, reverse this procedure when assembling them.



1.5.2 Disassembly/assembly method <COM section>

| Step/ Loc No. | Part name | Fig. No. | Point | Note |
|------------------|---|----------|---|----------------|
| ① | Top cover, Bracket | COM1 | 4(S1), 3(S2), 2(L1), (L2) 2(S3) | — |
| ② | Front panel assembly | COM2 | 8(L3), CN7507(WR1), CN3011(WR2) | <Note 1,2,3,4> |
| ③ | Display board assembly, LED/SW board assembly, Eject SW board assembly, Jack board assembly, LED board assembly | COM3 | 15(S4) | — |
| ④ | SW REG board assembly | COM4 | 2(S5), 2(L4), (L5) CN5301(WR3), | <Note 1, 4> |
| ⑤ | Regulator board assembly | COM5 | 3(L6), CN5322(WR4), CN5321(WR5), CN5325(WR6), CN5326(WR7), CN5323(WR8) | <Note 1, 4> |
| ⑥ | Rear cover | COM6 | 4(S2), 6(S6), Fan motor | <Note 5> |

<Note 1>

When attaching the FPC, be sure to connect it in the correct orientation.

<Note 2>

When attaching the front panel assy, make sure that the door openers of cassette housing assembly is in the down position.

<Note 3>

When attaching the FPC take care that it is not caught. Pass the two VHS-side FPCs below the base (1).

<Note 4>

When removing the SW REG board assembly or Regulator board assembly, unhook the several spacers connecting it with pliers from the top side.

<Note 5>

Perform the work by leaving fan motor attached to the rear cover except when replacing the fan motor. When attaching the rear cover, please be careful with the wiring.

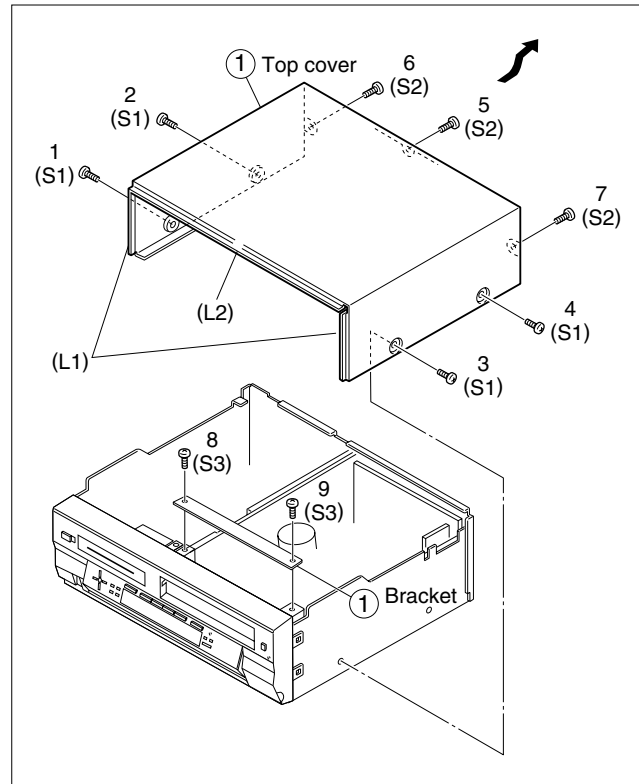


Fig. COM1

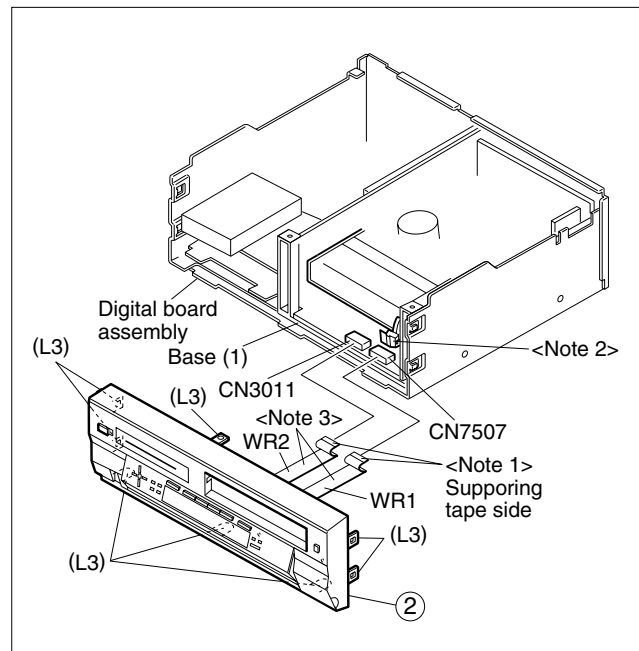


Fig. COM2

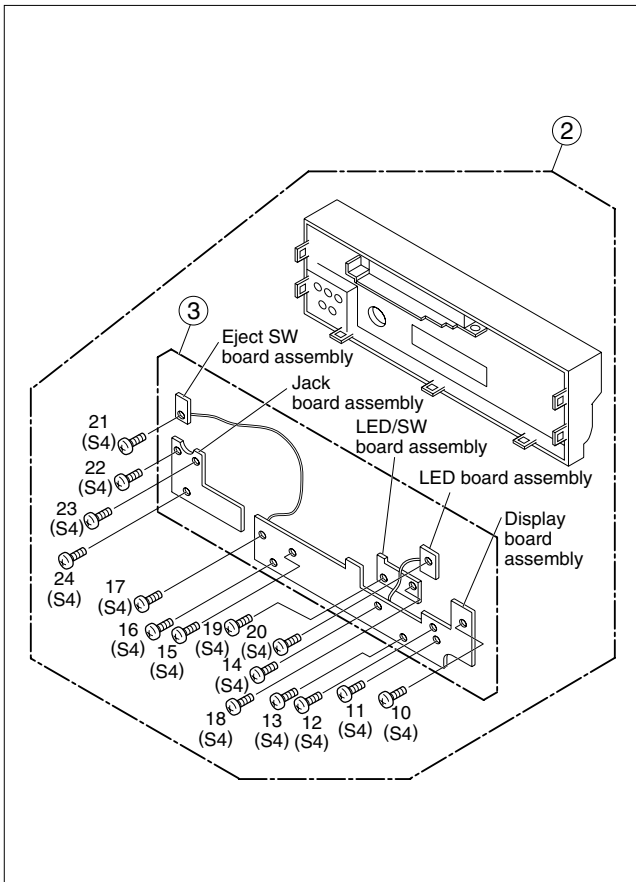


Fig. COM3

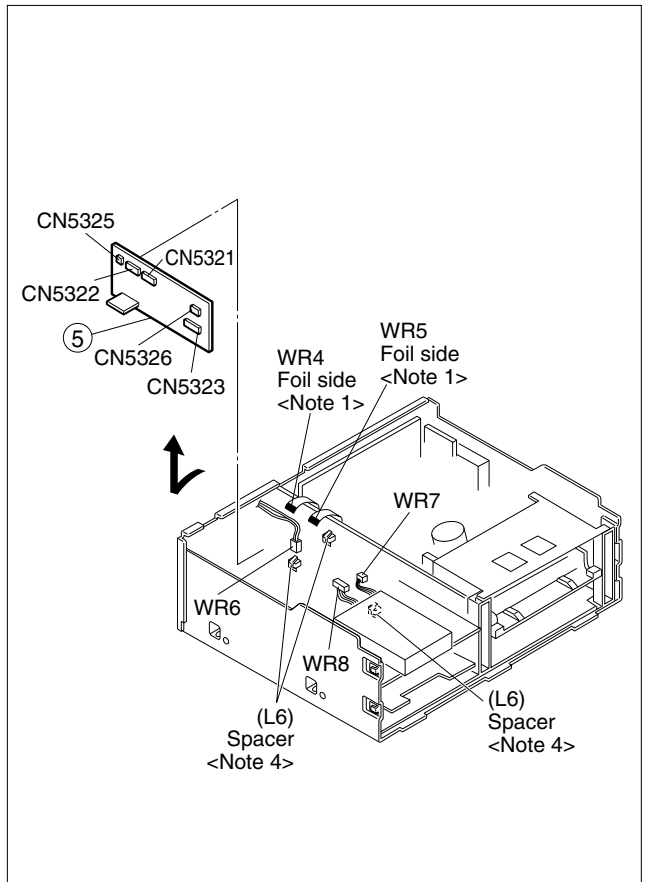


Fig. COM5

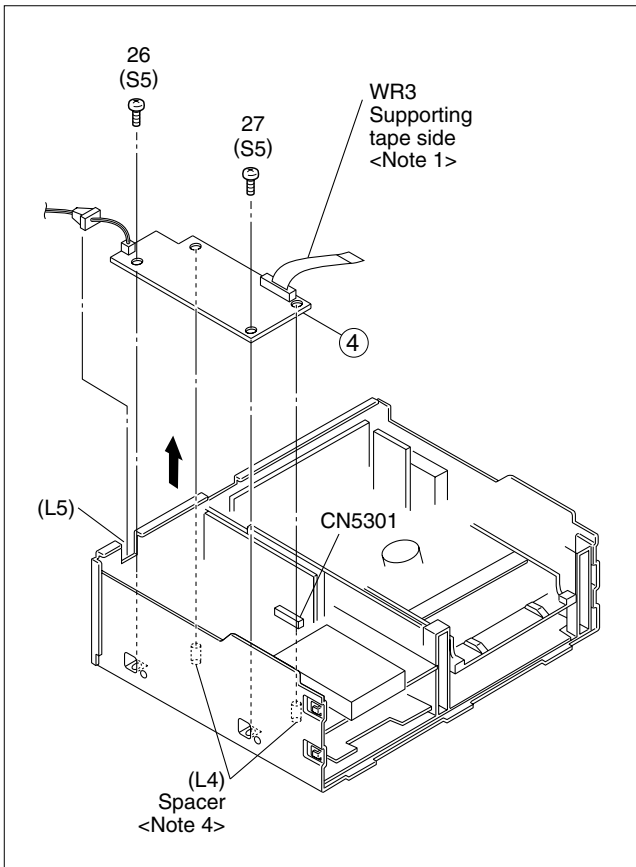


Fig. COM4

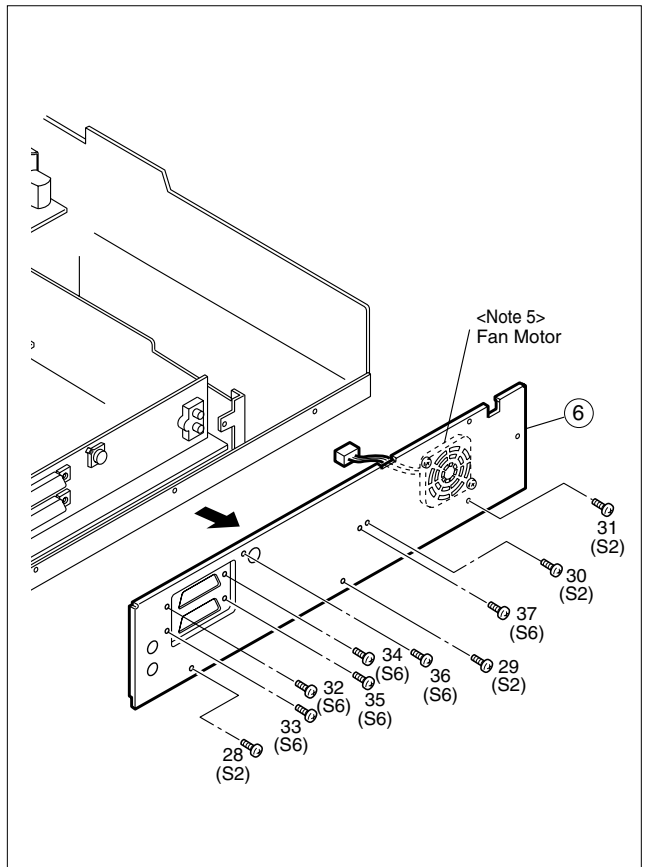
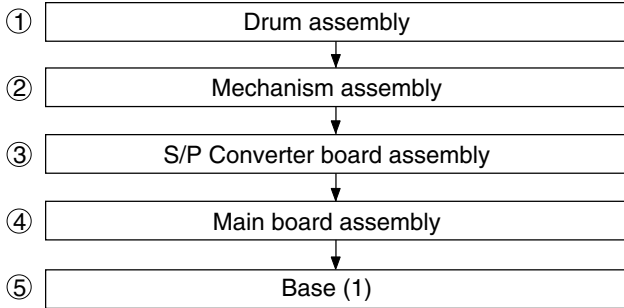


Fig. COM6

1.6 HOW TO REMOVE THE MAJOR PARTS <VHS section>

1.6.1 Disassembly flow chart

This flowchart shows the disassembly procedure for the exterior parts and electrical parts. Basically, reverse this procedure when assembling them. However, it is required to remove the common section parts as far as ① "Top cover Bracket" and ② "Front panel assembly" in advance. (See section 1.5.)



1.6.2 Disassembly/assembly method <VHS section>

| Step/ Loc No. | Part name | Fig. No. | Point | Note |
|------------------|---|----------|---|------------|
| ① | Drum assembly (Inertia plate) (Roller arm assy) | V1 | 3(S7), CON1(WR9), CN1(WR10) ----- 4(L1) ----- (P1), (L2) | <Note 1,2> |
| ② | Mechanism assembly | V2 | 2(S3), (S8), (S9), (L3), (L4), CN1(WR11) | <Note 2,4> |
| ③ | S/P Converter board assembly | V3 | 2(S5) CN1(WR26) Earth plate | |
| ④ | Main board assembly | V4 | 2(S3), (S5), CN5321(WR5), CN5322(WR4), CN3014(WR12), CN703(WR13), CN2601(WR14) | <Note 2> |
| ⑤ | Base (1) | V5 | (S3), 3(S5) | — |

<Note 1>

When attaching or removing the FPC, take care not to disconnect any of the wires.

<Note 2>

When attaching the FPC, be sure to connect it in the correct orientation.

<Note 3>

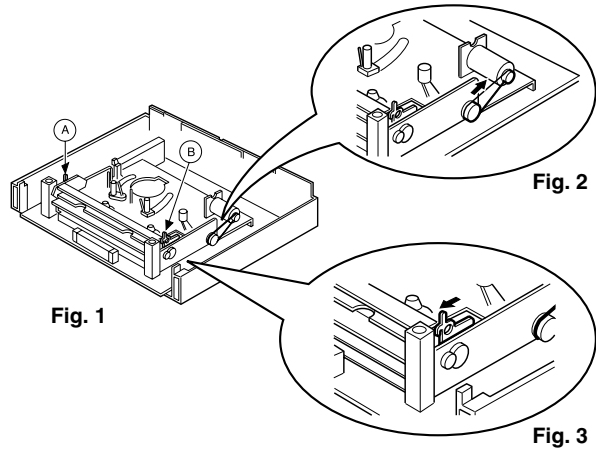
When attaching wires, connect them in the correct orientation.

<Note 4>

- When it is required to remove the screws (S3) retaining the Mechanism assembly, please refer to the "Procedures for Lowering the Cassette holder assembly" (See on page 1-5).
- When removing the Mechanism assembly only, unhook the two spacers connecting it with the Main board assembly with pliers from the back side of the Main board assembly first, and then remove the Mechanism assembly.
- When reattaching the Mechanism assembly to the Main board assembly, take care not to damage the sensors on the Main board assembly (D3001: LED, Q3002: Start sensor, Q3003: End sensor, S3002: S cassette switch).

Procedures for Lowering the Cassette holder assembly

As the mechanism of this unit is integrated with the Housing assembly, the holder must be lowered and the two screws unscrewed when removing the Mechanism assembly.



Turn the loading motor pulley in the direction as indicated by Fig.2. As both (A) and (B) levers are lodged twice, push the levers in the direction as indicated by Fig.3 to release them. When pushing the levers, do it in the order of (A), (B), (B), (A). When the holder has been lowered, turn the pulley until the cassette holder is securely in place without allowing any up/down movement.

Procedures for Lowering the Cassette holder assembly

Note: When installing the Drum assembly, secure the screws (S7) in the order of (a), (b), (c).

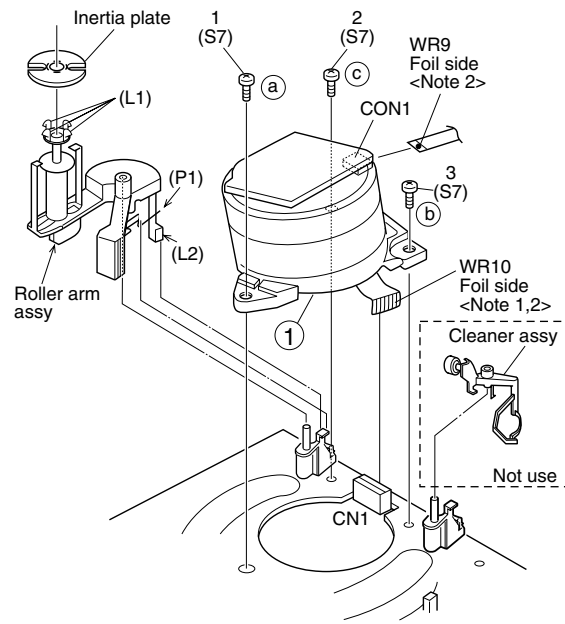


Fig. V1

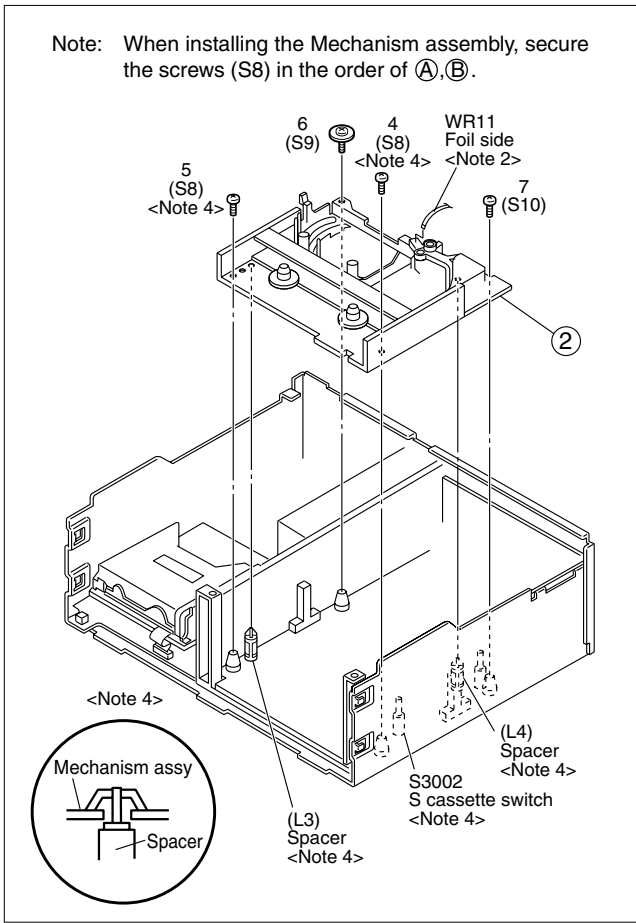


Fig. V2

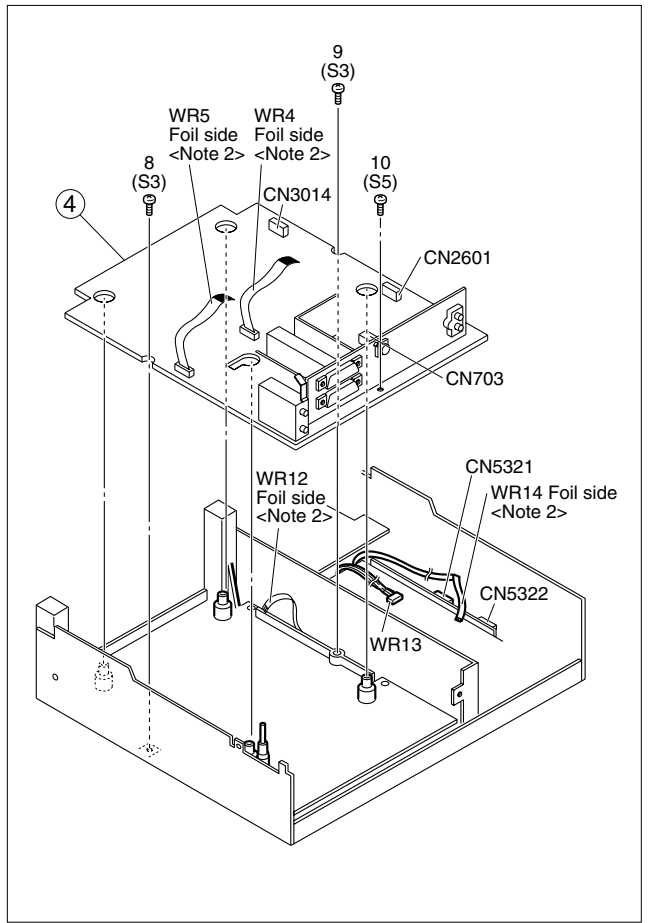


Fig. V4

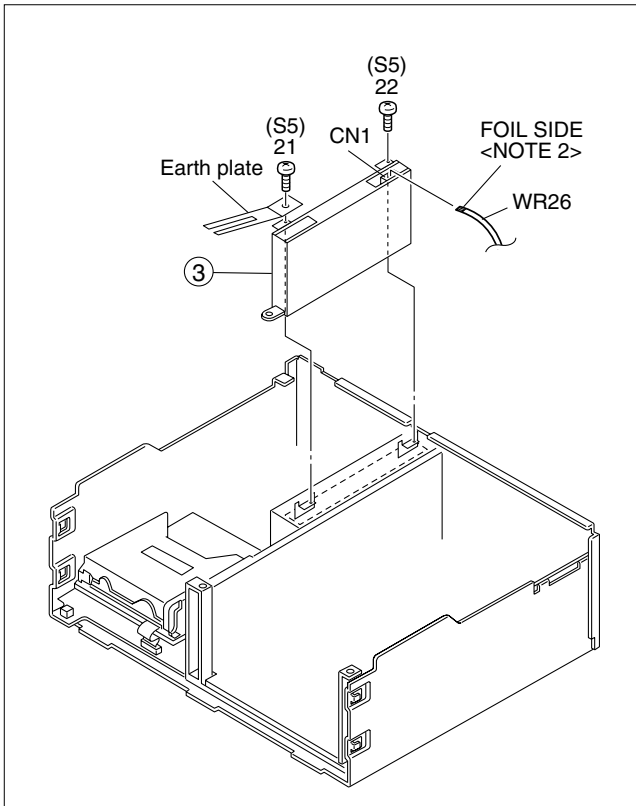


Fig. V3

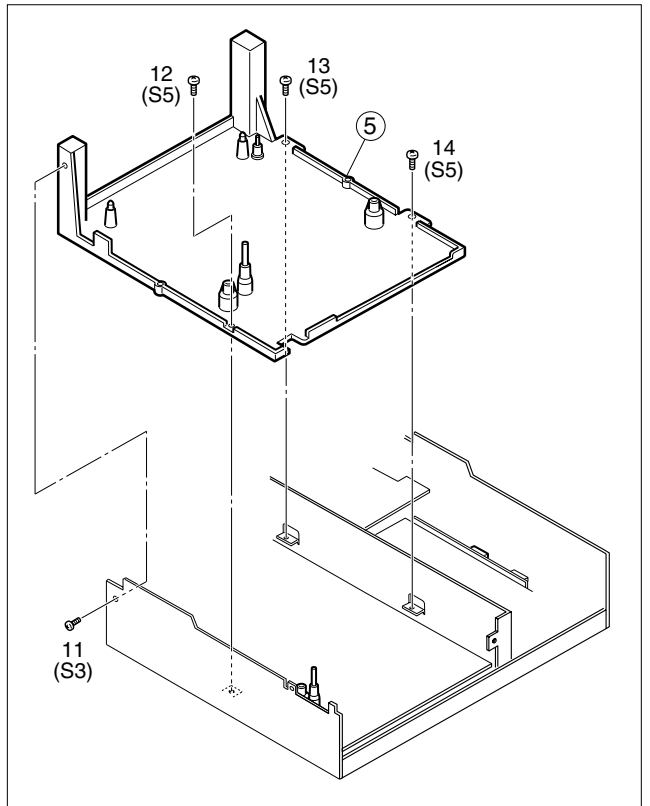


Fig. V5

Hard Disk Drive (HDD) Handling Precautions

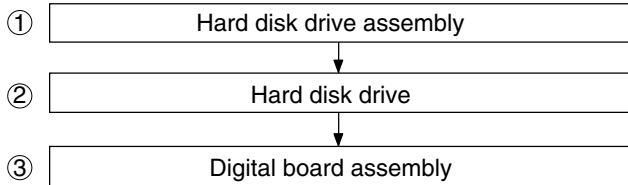
The HDD is a precision device for use in reading and writing a large amount of data on or from a disk rotating at a high speed. If it is not handled carefully, either abnormal operation may result or it may not be possible to read data. The HDD is sensitive to the following items and special care is required in safeguarding against them when handling an HDD. Also take care in handling a set incorporating an HDD.

- 1 Hard disk drive assembly
- 2 Hard disk
- 3 Digital board assembly

1.7 HOW TO REMOVE THE MAJOR PARTS <HDD section>

1.7.1 Disassembly flow chart

This flowchart shows the disassembly procedure for the exterior parts and electrical parts. Basically, reverse this procedure when assembling them. However, it is required to remove the common section parts as far as ①“Top cover” and ②“Front panel assembly” in advance. (See section 1.5.)



1.7.2 Disassembly/assembly method <HDD section>

| Step/ Loc No. | Part name | Fig. No. | Point | Note |
|------------------|--------------------------|----------|--|------------|
| ① | Hard disk drive assembly | H1 | 4(S5), CN5326(WR15) | <Note 1,2> |
| ② | Hard disk drive | H2 | 4(S10) | |
| ③ | Digital board assembly | H3 | 4(S5), CN8901(WR8), CN8002(WR12), CN8601(WR13), CN8801(WR14) | <Note 3,4> |

<Note 1>

With due regard to operational considerations, remove the parts located on the frame (Hard disk drive) together before removing the major parts.

<Note 2>

When attaching the hard disk drive assembly, be sure to connect the earth wire.

<Note 3>

- When connecting or disconnecting the connector or wire, take care not to damage them.
- When connecting the flat wire to the connector, be sure to connect it in the correct orientation.

<Note 4>

When removing the board assembly, take care not to damage it.

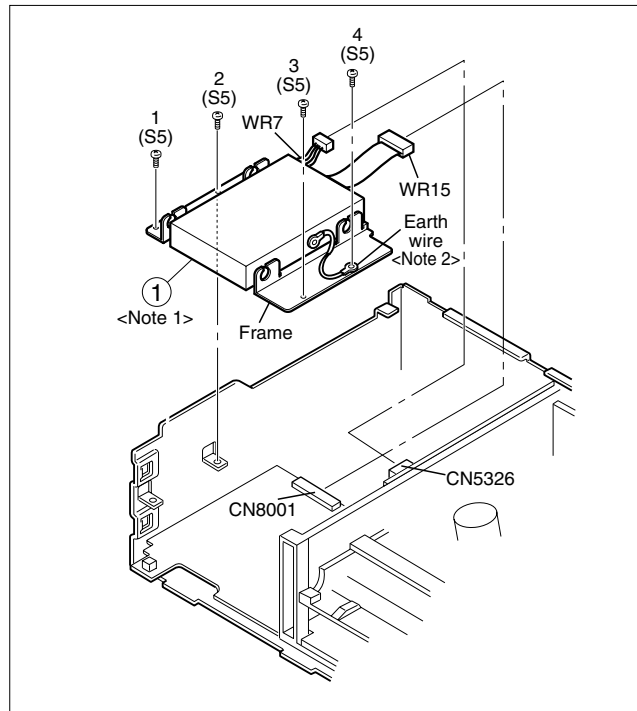


Fig. H1

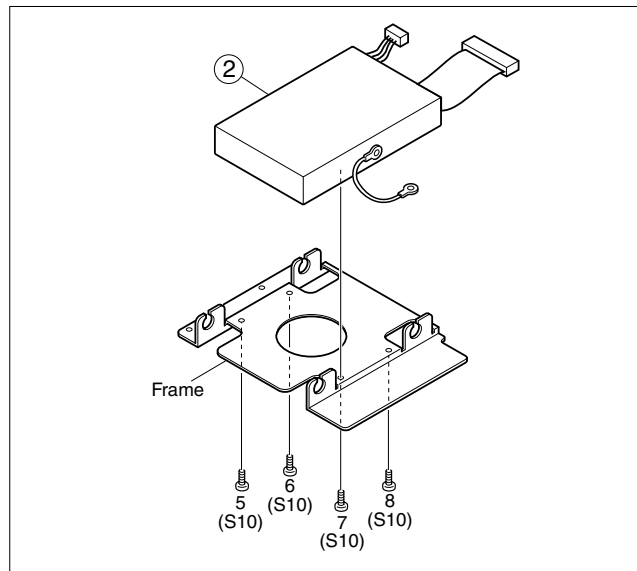


Fig. H2

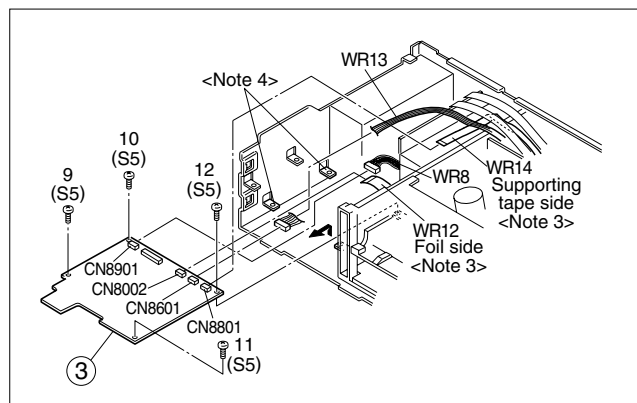


Fig. H3

1.8 SERVICE POSITIONS

The servicing locations for use in troubleshooting or servicing of the set are provided separately for the VHS and HDD.

- ① SERVICE POSITIONS <VHS SIDE>
- ② SERVICE POSITIONS <HDD SIDE>

1.8.1 Service position <VHS SIDE>

<Removal>

- (1) Remove the top cover and bracket.
- (2) Remove the front panel assembly.
- (3) Remove the MAIN board assembly together with the mechanism assembly.

| | | Fig. No. (Page) | Screw | Hook, etc. | Connector | Note |
|-----|---------------------------------------|--------------------|------------------|-----------------|--|------|
| (1) | Top cover, Bracket | COM1 (1-3) | 9 (No.1-9) | 2 + 1 (L1,2) | 0 | — |
| (2) | Front panel assembly | COM2 (1-3) | 0 | 8 (L3) | 2 (CN7507/ CN3011) | — |
| (3) | Rear cover | COM6 (1-3) | 10 (No.28-37) | 0 | 1 (CN5325) | — |
| (4) | Main board assembly (etc.) | V2, V4 (1-5) | 7 (No.4-10) | 0 | 5 (CN5321/ CN5322/ CN3014/ CN703/ CN2601) | — |
| (5) | S/P Converter board assembly | V3 (1-5) | 7 (No.21-22) | 0 | 5 (CN701/ CN1) | — |

Table 1-8-1

< Installation >

- (1) Stand up the bottom chassis assembly so that the Regulator side is in the lower position.
- (2) Connect the PATCH CORD to the three FPCs then connect CN3014, CN7508 and CN7509.
- (3) By connecting a total of two FPCs and wires (CN703/ CN2601), carry out the installation so that the Main board assembly comes in the upper position.

Point: • Take care that the FPCs and wires are not subjected to stress in this positioning.

- (4) Connect the PATCH CORDS to the two FPCs of the front panel assembly, then connect the CORDS to the CN7507/CN3011.

For the PATCH CORD is required, see Table 1-8-2.

| | Board to Board | WIRE |
|---|----------------|---------------|
| Ⓐ | PTU94022-10 | QUQ112-1040CG |
| Ⓑ | PTU94022-18 | QUQ112-1840CG |
| Ⓒ | PTU94022-13 | QUQ212-1340CG |
| Ⓓ | PTU94022-15 | QUQ212-1540CG |
| Ⓔ | YTU94072-06 | QUQ210-0640CG |

Table 1-8-2

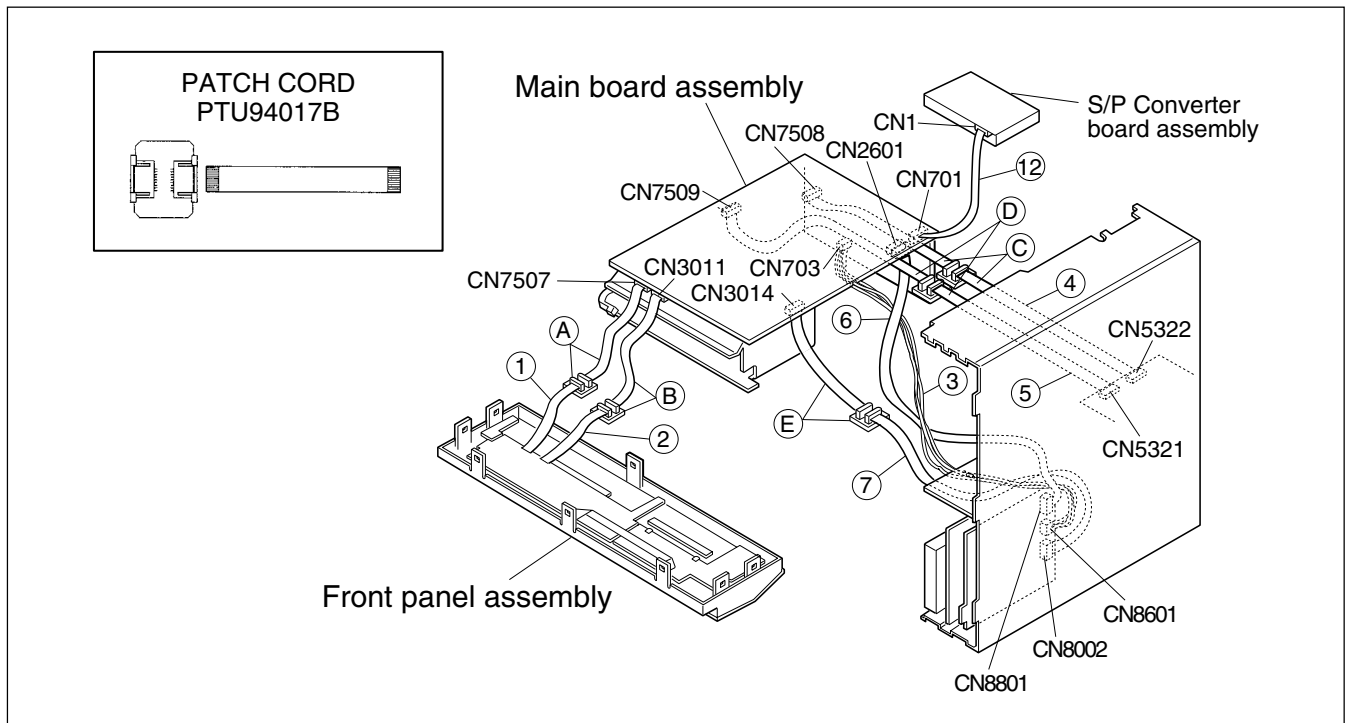


Fig. 1-8-1 Service position <VHS side>

1.8.2 Service position <HDD SIDE>

- (1) Remove the exterior parts (Top cover and front panel assembly).
- (2) Remove the hard disk drive(HDD) together with the frame.
- (3) Remove the digital board assembly together with the wires attached to it, and place the assembly upside down on an insulated mat that is placed on the mechanism (VHS) assembly.
- (4) Mount the HDD that was removed in (2) to its original position on the bottom chassis assembly, and connect the wires to the connector CN8001 on the digital board assembly and to the connector CN5326 on the regulator board assembly.

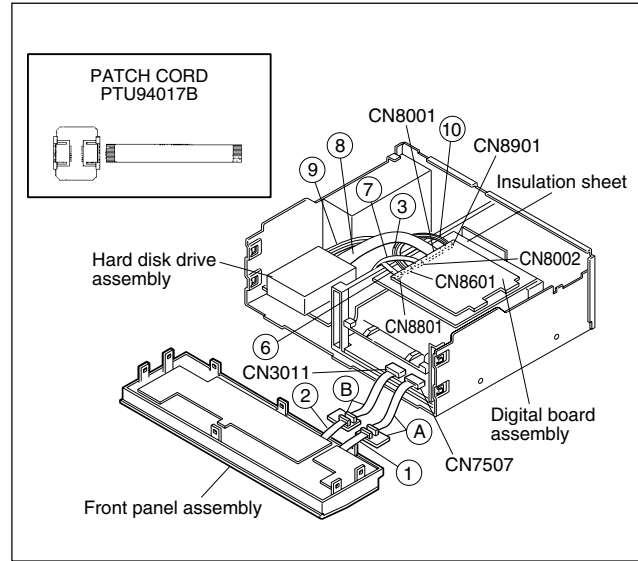


Fig. 1-8-2 Service position <HDD side>

| | | Fig. No. (Page) | Screw (No.) | Hooks, etc. (No.) | Connectors | Note |
|-----|-----------------------------|--------------------|----------------|----------------------|-----------------------|------|
| (1) | Top cover, Brackets | COM1 (1-3) | 9 (No.1-9) | 2 + 1 (L1, L2) | 0 | — |
| (2) | Front panel assembly | COM2 (1-3) | 0 | 8 (L3) | 2(CN7507, CN3011) | — |
| (3) | Hard disk drive assembly | H1 (1-6) | 4 (No.1-4) | 0 | 2 (CN8001, CN5326) | — |
| (4) | Digital board assembly | H3 | 4 (No.9-12) | 0 | 0 | — |

Table 1-8-3

Note :

- *The symbol numbers in the following table are special numbers indicating the service positions. They do not coincide with the symbol numbers used in Fig. 1-10-1 (1-10) or Table 1-10-1 (1-11).*

| | SYMBOL | CONNECTOR (WIRE) CONNECTIONS | | PIN No | PATCH CORD |
|-------|--------|------------------------------|--------------------|--------|------------|
| ① / Ⅱ | ① | MAIN CN7507 | — JACK CN7002 | 10 | Ⓐ |
| ① / Ⅱ | ② | MAIN CN3011 | — DISPLAY CN7001 | 18 | Ⓑ |
| Ⅰ | ③ | TERMINAL CN703 | — DIGITAL CN8601 | 6 | — |
| Ⅰ | ④ | MAIN CN7508 | — REGULATOR CN5322 | 13 | Ⓒ |
| Ⅰ | ⑤ | MAIN CN7509 | — REGULATOR CN5321 | 15 | Ⓓ |
| Ⅰ | ⑥ | MAIN CN2601 | — DIGITAL CN8801 | 8 | — |
| ① / Ⅱ | ⑦ | MAIN CN3014 | — DIGITAL CN8002 | 6 | Ⓔ |
| Ⅱ | ⑧ | DIGITAL CN8001 | — HARD DISK DRIVE | 40 | — |
| Ⅱ | ⑨ | REGULATOR CN5326 | — HARD DISK DRIVE | 4 | — |
| Ⅱ | ⑩ | REGULATOR CN5323 | — DIGITAL CN8901 | 9 | — |
| Ⅰ | ⑫ | MAIN CN701 | — S/P CONV. CN1 | 8 | — |

Table 1-8-4 Connection of Connectors

1.9 MECHANISM SERVICE MODE

This model has a unique function to enter the mechanism into every operation mode without loading of any cassette tape. This function is called the "MECHANISM SERVICE MODE".

1.9.1 How to set the "MECHANISM SERVICE MODE"

- (1) Disconnect VCR from AC.
- (2) Connect TPGND and TP7001 (TEST) on the Display board assembly with a jump wire.
- (3) Connect VCR to AC.
- (4) Press the POWER button.

- (5) With lock levers (A)(B) on the left and right of the Cassette holder assembly pulled toward the front, slide the holder in the same direction as the cassette insertion direction. (For the positions of lock levers (A)(B), refer to the "Procedures for Lowering the Cassette holder assembly" on page 1-5 of 1.6 HOW TO REMOVE THE MAJOR PARTS <VHS section>)
- (6) The cassette holder lowers and, when the loading has completed, the mechanism enters the desired mode.

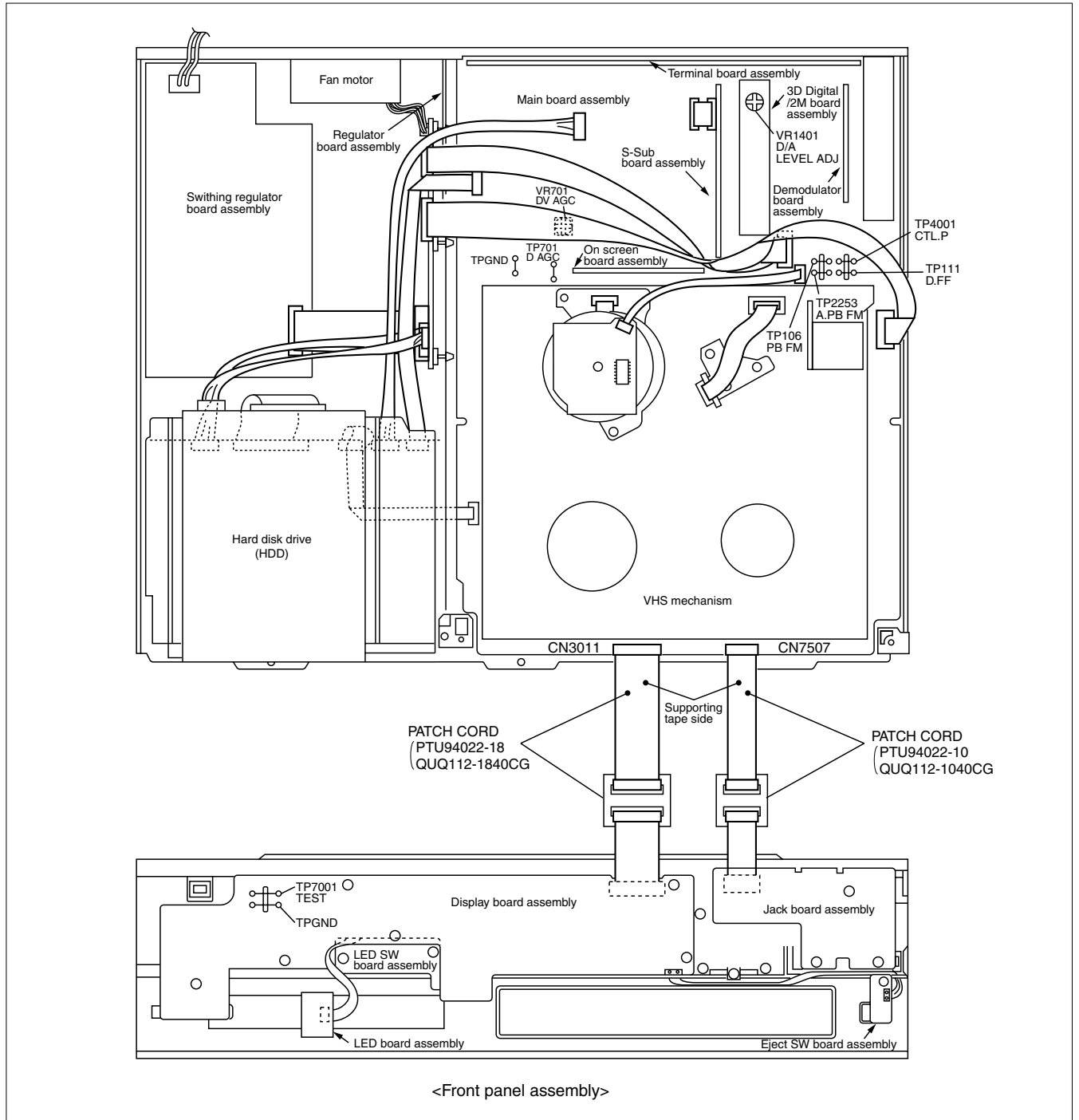


Fig. 1-9-1

1.10 CONNECTION

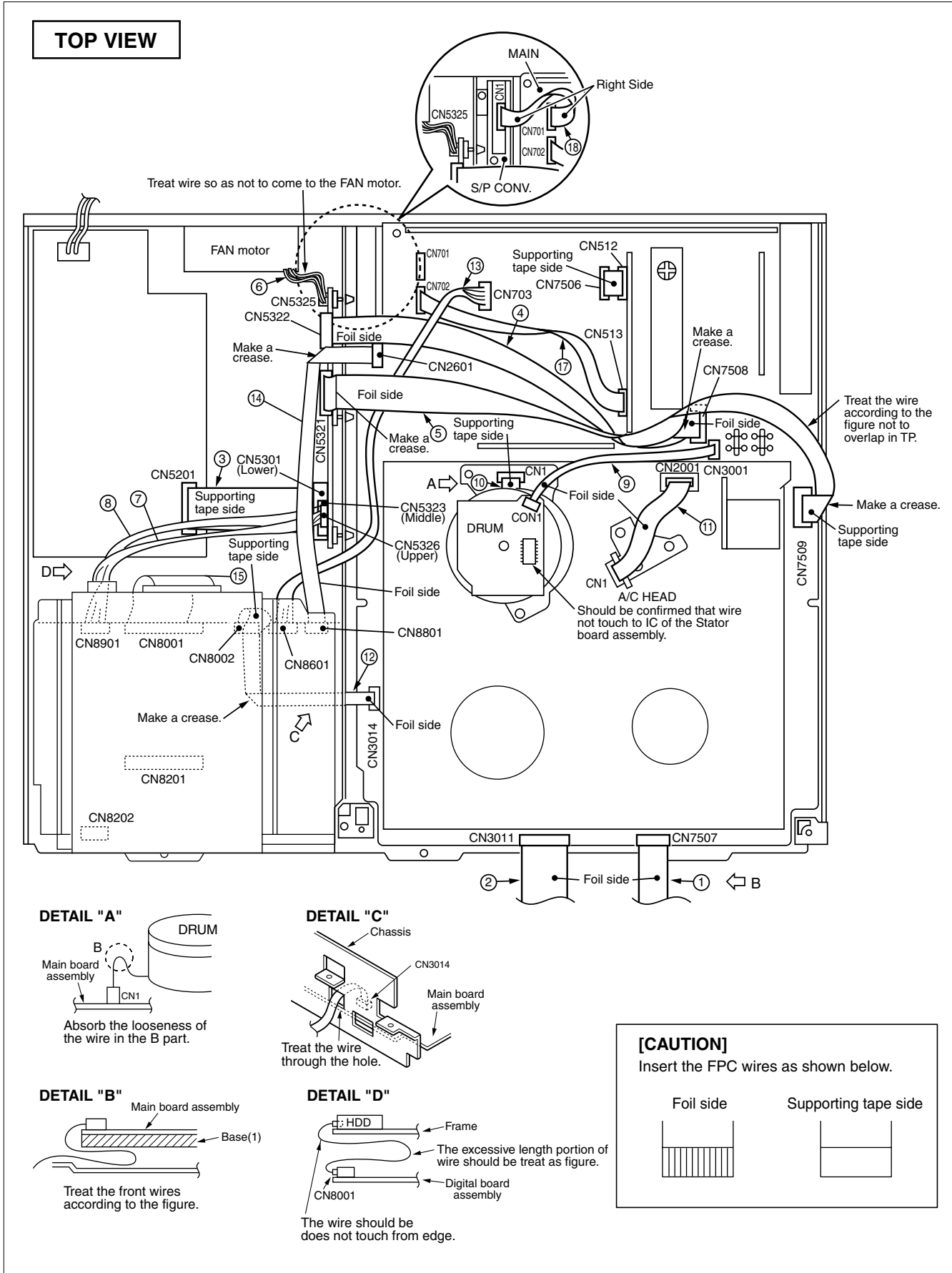


Fig. 1-10-1 Top view

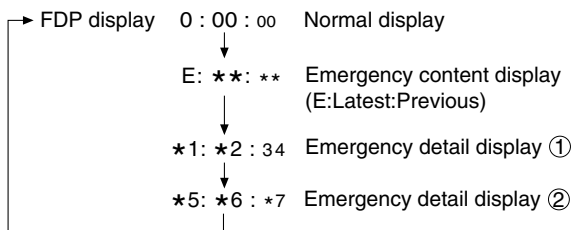
| Fig. No. | Symbol | Connection | | | | | Pin No. | Type (FPC/WIRE) |
|----------|--------|-----------------|--------|---|-----------------|--------|---------|-----------------|
| | | Connected point | | ↔ | Connected point | | | |
| ① | WR1 | MAIN | CN7507 | ↔ | JACK | CN7002 | 10 | FPC |
| ② | WR2 | MAIN | CN3011 | ↔ | DISPLAY | CN7001 | 18 | FPC |
| ③ | WR3 | REGULATOR | CN5301 | ↔ | SW REG | CN5201 | 19 | FPC |
| ④ | WR4 | REGULATOR | CN5322 | ↔ | MAIN | CN7508 | 13 | FPC |
| ⑤ | WR5 | REGULATOR | CN5321 | ↔ | MAIN | CN7509 | 15 | FPC |
| ⑥ | WR6 | REGULATOR | CN5325 | ↔ | FAN MOTOR | — | 2 | WIRE |
| ⑦ | WR7 | REGULATOR | CN5326 | ↔ | HDD | — | 4 | WIRE |
| ⑧ | WR8 | REGULATOR | CN5323 | ↔ | DIGITAL | CN8901 | 9 | WIRE |
| ⑨ | WR9 | DRUM MOTOR | CON1 | ↔ | MAIN | CN3001 | 5 | FPC |
| ⑩ | WR10 | MAIN | CN1 | ↔ | UPPER DRUM | — | 11 | FPC |
| ⑪ | WR11 | A/C HEAD | CN1 | ↔ | MAIN | CN2001 | 7 | FPC |
| ⑫ | WR12 | MAIN | CN3014 | ↔ | DIGITAL | CN8002 | 6 | FPC |
| ⑬ | WR13 | MAIN | CN703 | ↔ | DIGITAL | CN8601 | 6 | WIRE |
| ⑭ | WR14 | MAIN | CN2601 | ↔ | DIGITAL | CN8801 | 8 | FPC |
| ⑮ | WR15 | DIGITAL | CN8001 | ↔ | HDD | — | 40 | WIRE |
| ⑯ | — | MAIN | CN7506 | ↔ | S-SUB | CN512 | 14 | FPC |
| ⑰ | — | MAIN | CN702 | ↔ | S-SUB | CN513 | 9 | FPC |
| ⑱ | WR26 | MAIN | CN701 | ↔ | S/P CONV. | CN1 | 8 | FPC |
| — | — | DIGITAL | CN8201 | ↔ | Jig CONN. CABLE | — | 100 | WIRE |
| — | — | DIGITAL | CN8202 | ↔ | Jig CONN. CABLE | — | 6 | FPC |

Table 1-10-1 Connection

1.11 EMERGENCY DISPLAY FUNCTION

This unit has a function for storing the history of the past two emergencies (EMG) and displaying them on each FDP. With the status of the VCR and mechanism at the moment an emergency occurred can also be confirmed.

FDP display switching



Notes:

- **The emergency detail display ①② show the information on the latest emergency. It becomes “-- : -- : --” when there is no latest emergency record.**
- **When using the Jig RCU, set its custom code to match the custom code of the VCR.**

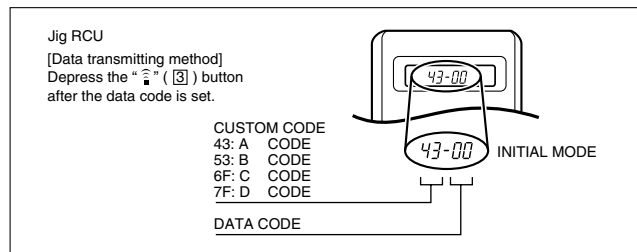
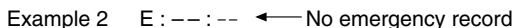
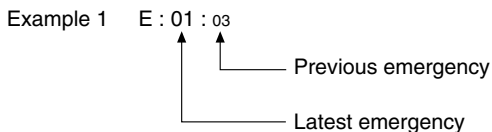


Fig. 1-11-1 Jig RCU [PTU94023B]

1.11.1 Displaying the emergency information

- (1) Transmit the code “59” from the Jig RCU. The FDP shows the emergency content in the form of “E : * * : * *”.



Note:

For the emergency content, see “1.11.3 Emergency content description”.

- (2) Transmit the code “59” from the Jig RCU again. The FDP shows the emergency detail information ① in the form of “* 1 : * 2 : 3 4”.

- * 1 : Deck operation mode at the moment of emergency
- * 2 : Mechanism operation mode at the moment of emergency
- 3- : Mechanism sensor information at the moment of emergency
- 4 : Mechanism mode position at the moment of emergency

Note:

- **For the emergency detail information ①, see “1.11.4 Emergency detail information ①”.**

- (3) Transmit the code “59” from the Jig RCU once again. The FDP shows the emergency detail information ② in the form of “* 5 : * 6 : * 7”.

- * 5 : Type of the cassette tape in use ①.
- * 6 : Winding position of the cassette tape in use
- * 7 : Type of the cassette tape in use ② (Winding area)

Note:

- **For the emergency detail information ②, see “1.11.5 Emergency detail information ②”.**

- (4) Transmit the code “59” from the Jig RCU once again to reset the display.

1.11.2 Clearing the emergency history

- (1) Display the emergency history.
- (2) Transmit the code “36” from the Jig RCU.
- (3) Reset the emergency display.

1.11.3 Emergency content description

Note: *Emergency contents “E08/E09” are for the model with Dynamic Drum (DD).*

| FDP | CONTENT | CAUSE |
|---------------------------------|---|--|
| E01: Loading EMG | When the mechanism mode cannot be changed to another mode even when the loading motor has rotated for more than 4 seconds in the loading direction, [E:01] is identified and the power is turned off. | <ol style="list-style-type: none"> ① The mechanism is locked in the middle of mode transition. ② The mechanism is locked at the loading end due to the encoder position reading error during mode transition. ③ Power is not supplied to the loading MDA. |
| E02: Unloading EMG | When the mechanism mode cannot be changed to another mode even when the loading motor has rotated for more than 4 seconds in the unloading direction, [E:02] is identified and the power is turned off. | <ol style="list-style-type: none"> ① The mechanism is locked in the middle of mode transition. ② The mechanism is locked at the unloading end due to the encoder position reading error during mode transition. ③ Power is not supplied to the loading MDA. |
| E03: Take Up Reel Pulse EMG | When the take-up reel pulse has not been generated for more than 4 seconds in the capstan rotating mode, [E:03] is identified, the pinch rollers are turned off and stopped, and the power is turned off. However, the reel EMG is not detected in STILL/SLOW modes. | <ol style="list-style-type: none"> ① The take-up reel pulse is not generated in the FWD transport modes (PLAY/FWD SEARCH/FF, etc.) because; <ol style="list-style-type: none"> 1) The idler gear is not meshed with the take-up reel gear; 2) The idler gear is meshed with the take-up reel gear, but incapable of winding due to too large mechanical load (abnormal tension); 3) The take-up reel sensor does not output the FG pulse. ② The supply reel pulse is not generated in the REV transport modes (REV SEARCH/REW, etc.) because; <ol style="list-style-type: none"> 1) The idler gear is not meshed with the supply reel gear. 2) The idler gear is meshed with the supply reel gear, but incapable of winding due to too large a mechanical load (abnormal tension); 3) The supply reel sensor does not output the FG pulse. ③ Power is not supplied to the reel sensors. |
| E04: Drum FG EMG | When the drum FG pulse has not been input for more than 3 seconds in the drum rotating mode, [E:04] is identified, the pinch rollers are turned off and stopped, and the power is turned off. | <ol style="list-style-type: none"> ① The drum could not start or the drum rotation has stopped due to too large a load on the tape, because; <ol style="list-style-type: none"> 1) The tape tension is abnormally high; 2) The tape is damaged or a foreign object (grease, etc.) adheres to the tape. ② The drum FG pulse did not reach the System controller CPU because; <ol style="list-style-type: none"> 1) The signal circuit is disconnected in the middle; 2) The FG pulse generator (hall device) of the drum is faulty. ③ The drum control voltage (DRUM CTL V) is not supplied to the MDA. ④ Power is not supplied to the drum MDA. |
| E05: Cassette Eject EMG | When the eject operation does not complete in 3 seconds after the start, [E:05] is identified, the pinch rollers are turned off and stopped, and the power is turned off. When the cassette insertion operation does not complete in 3 seconds after the start, the cassette is ejected. In addition, when the operation does not complete within 3 seconds after the start, [E:05] is also identified and the power is turned off immediately. | <ol style="list-style-type: none"> ① The cassette cannot be ejected due to a failure in the drive mechanism of the housing. ② When the housing load increases during ejection, the loading motor is stopped because of lack of headroom in its drive torque. <ul style="list-style-type: none"> Housing load increasing factors: Temperature environment (low temperature, etc.), mechanism wear or failure. ③ The sensor/switch for detecting the end of ejection are not functioning normally. ④ The loading motor drive voltage is lower than specified or power is not supplied to the motor (MDA). ⑤ When the user attempted to eject a cassette, a foreign object (or perhaps the user's hand) was caught in the opening of the housing. |
| E06: Capstan FG EMG | When the capstan FG pulse has not been generated for more than 1 second in the capstan rotating mode, [E:06] is identified, the pinch rollers are turned off and stopped, and the power is turned off. However, the capstan EMG is not detected in STILL/SLOW/FF/REW modes. | <ol style="list-style-type: none"> ① The capstan could not start or the capstan rotation has stopped due to too large a load on the tape, because; <ol style="list-style-type: none"> 1) The tape tension is abnormally high (mechanical lock); 2) The tape is damaged or a foreign object (grease, etc.) is adhered to the tape (occurrence of tape entangling, etc.). ② The capstan FG pulse did not reach the System controller CPU because; <ol style="list-style-type: none"> 1) The signal circuit is disconnected in the middle; 2) The FG pulse generator (MR device) of the capstans is faulty. ③ The capstan control voltage (CAPSTAN CTL V) is not supplied to the MDA. ④ Power is not supplied to the capstan MDA. |
| E07: SW Power Short-Circuit EMG | When short-circuiting of the SW power supply with GND has lasted for 0.5 second or more, [E:07] is identified, all the motors are stopped and the power is turned off. | <ol style="list-style-type: none"> ① The SW 5 V power supply circuit is shorted with GND. ② The SW 12 V power supply circuit is shorted with GND. |
| E08: HDD Communication EMG | When the KBUS_DATA signal did not reach the pin-46 of the System controller CPU (IC3001) on the main board assembly, [E:08] is identified, "POWER ON" operation is rejected. | <ol style="list-style-type: none"> ① HDD is defective ② KBUS_DATA signal is disconnected in the middle. |
| E09: DD FG EMG | When the DD FG pulse is not generated within 2.5 seconds, [E:09] is identified, the tilt motor is stopped and the power is turned off. | <ol style="list-style-type: none"> ① The FG sensor is defective. (The soldered parts have separated.) ② The pull-up resistor at the FG sensor output is defective. (The soldered parts have separated.) ③ Contact failure or soldering failure of the pins of the connector (board-to-board) to the FG sensor. ④ The power to the sensor is not supplied. (Connection failure/soldering failure) ⑤ The FG pulse is not sent to the System Controller CPU. ⑥ The tilt motor is defective. (The soldered parts have separated.) ⑦ The drive power to the tilt motor is not supplied. (Connection failure/soldering failure) ⑧ The tilt motor drive MDA - IC is defective. ⑨ Auto-recovery of the DD tilting cannot take place due to overrun. |
| E0A: Supply Reel Pulse EMG | When the supply reel pulse has not been generated for more than 10 seconds in the capstan rotating mode, [E:0A] is identified and the cassette is ejected (but the power is not turned off). However, note that the reel EMG is not detected in the SLOW/STILL mode. | <ol style="list-style-type: none"> ① The supply reel pulse is not generated in the FWD transport mode (PLAY/FWD SEARCH/FF, etc.) because; <ol style="list-style-type: none"> 1) PLAY/FWD or SEARCH/FF is started while the tape in the inserted cassette is cut in the middle; 2) A mechanical factor caused tape slack inside and outside the supply reel side of the cassette shell. In this case, the supply reel will not rotate until the tape slack is removed by the FWD transport, so the pulse is not generated until then; 3) The FG pulse output from the supply reel sensor is absent. ② The take-up reel pulse is not generated in the REV transport mode (REV SEARCH/REW, etc.). <ol style="list-style-type: none"> 1) REV SEARCH/REW is started when the tape in the inserted cassette has been cut in the middle; 2) A mechanical factor caused tape slack inside and outside the take-up reel side of the cassette shell. In this case, the supply reel will not rotate until the tape slack is removed by the REV transport, so the pulse will not be generated until that time; 3) The FG pulse output from the take-up reel sensor is absent. ③ The power to a reel sensor is not supplied. |
| EC1 or EU1: Head clog warning | Presupposing the presence of the control pulse output in the PLAY mode, when the value obtained by mixing the two V.FM output channels (without regard to the A.FM output) has remained below a certain threshold level for more than 10 seconds, [E:C1] or [E:U1] is identified and recorded in the emergency history. During the period in which a head clog is detected, the FDP and OSD repeat the "3-second warning display" and "7-second noise picture display" alternately. EMG code : "E:C1" or "E:U1" / FDP : "U:01" / OSD : "Try cleaning tape." or "Use cleaning cassette." The head clog warning is reset when the above-mentioned threshold has been exceeded for more than 2 seconds or the mode is changed to another mode than PLAY. | |

1.11.4 Emergency detail information ①

The status (electrical operation mode) of the VCR and the status (mechanism operation mode/sensor information) of the mechanism in the latest emergency can be confirmed based on the figure in EMG detail information ①.

[FDP display]

★1 : ★2 : 34

- ★1 : Deck operation mode at the moment of emergency
- ★2 : Mechanism operation mode at the moment of emergency
- 3- : Mechanism sensor information at the moment of emergency
- 4 : Mechanism mode position at the moment of emergency

Note:

- ***In the Deck operation mode/Mechanism operation mode/Mechanism mode position, the contents of the code that is shown on the FDP differs depending on the parts number of the System Control microprocessor (IC3001) of the VCR.***

For the microprocessor parts number that starts with the two letters "MN", refer to the Table of MN and for parts number with "HD", refer to the Table of HD.

★1 : Deck Operation Mode

[Table of MN]

| Display | Deck Operation Mode |
|---------|---|
| 00 | Mechanism being initialized |
| 01 | STOP with pinch roller pressure off (or tape present with P.OFF) |
| 02 | STOP with pinch roller pressure on |
| 03 | POWER OFF as a result of EMG |
| 04 | PLAY |
| 0C | REC |
| 10 | Cassette ejected |
| 20 | FF |
| 21 | Tape fully loaded, START sensor ON, short FF |
| 22 | Cassette identification FWD SEARCH before transition to FF (SP x7-speed) |
| 24 | FWD SEARCH (variable speed) including x2-speed |
| 2C | INSERT REC |
| 40 | REW |
| 42 | Cassette identification REV SEARCH before transition to REW (SP x7-speed) |
| 44 | REV SEARCH (variable speed) |
| 4C | AUDIO DUB |
| 6C | INSERT REC (VIDEO + AUDIO) |
| 84 | FWD STILL/SLOW |
| 85 | REV STILL/SLOW |
| 8C | REC PAUSE |
| 8D | Back spacing |
| 8E | Forward spacing (FWD transport mode with BEST function) |
| AC | INSERT REC PAUSE |
| AD | INSERT REC Back spacing |
| CC | AUDIO DUB PAUSE |
| CD | AUDIO DUB Back spacing |
| EC | INSERT REC (VIDEO + AUDIO) PAUSE |
| ED | INSERT REC (VIDEO + AUDIO) Back spacing |

[Table of HD]

| Display | Deck Operation Mode |
|---------|--|
| 00 | STOP with pinch roller pressure off (or tape present with P.OFF) |
| 01 | STOP with pinch roller pressure on |
| 04 | PLAY |
| 0E | REC |
| 11 | Cassette ejected |
| 22 | FF |
| 26 | FWD SEARCH (variable speed) including x2-speed |
| 2E | INSERT REC |
| 43 | REW |
| 47 | REV SEARCH (variable speed) |
| 4C | AUDIO DUB |
| 6E | INSERT REC (VIDEO+AUDIO) |
| 84 | FWD STILL/SLOW |
| 85 | REV STILL/SLOW |
| 8F | REC PAUSE |
| AF | INSERT REC PAUSE |
| CD | AUDIO DUB PAUSE |
| EF | INSERT REC (VIDEO+AUDIO) PAUSE |

★2 : Mechanism Operation Mode

[Table of MN]

| Display | Mechanism Operation Mode |
|---------|--|
| 00 | Command standby (Status without executing command) |
| 02 | POWER OFF by EMG occurrence |
| 04 | Moving to the adjacent position in the LOAD direction |
| 06 | Moving to the adjacent position in the UNLOAD direction |
| 08 | Cassette ejection being executed |
| 0A | Cassette insertion being executed |
| 0C | Tape being loaded |
| 0E | Tape being unloaded |
| 10 | Mode transition to STOP with pinch roller compression ON |
| 12 | Mode transition to STOP with pinch roller compression OFF |
| 14 | Mode transition to STOP with pinch roller compression OFF as a result of POWER OFF |
| 16 | Mode transition to STOP with pinch roller compression ON as a result of POWER ON |
| 18 | Mode transition to PLAY |
| 1A | Mode transition to FWD SEARCH |
| 1C | Mode transition to REC |
| 1E | Mode transition to FWD STILL/SLOW |
| 20 | Mode transition to REV STILL/SLOW |
| 22 | Mode transition to REV SEARCH |
| 24 | Mode transition from FF/REW to STOP |
| 26 | Mode transition to FF |
| 28 | Mode transition to REW |
| 2A | 4 sec. of REV as a result of END sensor going ON during loading |
| 2C | Short FF/REV as a result of tape sensor going ON during unloading |
| 2E | Mechanism position being corrected due to overrun |
| 80 | Mechanism in initial position (Dummy command) |

[Table of HD]

| Display | Mechanism Operation Mode |
|---------|---|
| 00 | STOP with pinch roller pressure off |
| 01 | STOP with pinch roller pressure on |
| 02 | U/L STOP (or tape being loaded) |
| 04 | PLAY |
| 05 | PLAY (x1-speed playback using JOG) |
| 0E | REC |
| 11 | Cassette ejected |
| 22 | FF |
| 26 | FWD SEARCH (variable speed) including x2-speed |
| 2E | INSERT REC |
| 43 | REW |
| 47 | REV SEARCH |
| 4C | AUDIO DUB |
| 6E | INSERT REC (VIDEO + AUDIO) |
| 84 | FWD STILL/SLOW |
| 85 | REV STILL/SLOW |
| 8F | REC PAUSE |
| AF | INSERT REC PAUSE |
| C7 | REV SEARCH (x1-speed reverse playback using JOG) |
| CD | AUDIO DUB PAUSE |
| EF | INSERT REC (VIDEO + AUDIO) PAUSE |
| F0 | Mechanism being initialized |
| F1 | POWER OFF as a result of EMG |
| F2 | Cassette being inserted |
| F3 | Cassette being ejected |
| F4 | Transition from STOP with pinch roller pressure on to STOP with pinch roller pressure off |
| F5 | Transition from STOP with pinch roller pressure on to PLAY |
| F6 | Transition from STOP with pinch roller pressure on to REC |
| F7 | Cassette type detection SEARCH before FF/REW is being executed |
| F8 | Tape being unloaded |
| F9 | Transition from STOP with pinch roller pressure off to STOP with pinch roller pressure on |
| FA | Transition from STOP with pinch roller pressure off to FF/REW |
| FB | Transition from STOP with pinch roller pressure off to REC.P (T.REC,etc.) |
| FC | Transition from STOP with pinch roller pressure off to cassette type detection SEARCH |
| FD | Short REV being executed after END sensor on during unloading |
| FE | Tension loosening being executed after tape loading (STOP with pinch roller pressure on) |

3 - : Mechanism Sensor Information

[Common table of MN and HD]

| Display | Mechanism Sensor Information | | | |
|---------|------------------------------|---------------|--------------|------------|
| | S-VHS SW | REC SAFETY SW | START SENSOR | END SENSOR |
| 0- | VHS | Tab broken | ON | ON |
| 1- | VHS | Tab broken | ON | OFF |
| 2- | VHS | Tab broken | OFF | ON |
| 3- | VHS | Tab broken | OFF | OFF |
| 4- | VHS | Tab present | ON | ON |
| 5- | VHS | Tab present | ON | OFF |
| 6- | VHS | Tab present | OFF | ON |
| 7- | VHS | Tab present | OFF | OFF |
| 8- | S-VHS | Tab broken | ON | ON |
| 9- | S-VHS | Tab broken | ON | OFF |
| A- | S-VHS | Tab broken | OFF | ON |
| B- | S-VHS | Tab broken | OFF | OFF |
| C- | S-VHS | Tab present | ON | ON |
| D- | S-VHS | Tab present | ON | OFF |
| E- | S-VHS | Tab present | OFF | ON |
| F- | S-VHS | Tab present | OFF | OFF |

- 4 : Mechanism Mode Position

[Table of MN]

| Display | Mechanism Mode Position |
|---------|---|
| -0 | Initial value |
| -1 | EJECT position |
| -2 | Housing operating |
| -3 | U/L STOP position |
| -4 | Tape being loaded/unloaded (When the pole base is located on the front side of the position just beside the drum) |
| -5 | Tape being loaded/unloaded (When the pole base is located on the rear side of the position just beside the drum) |
| -6 | Pole base compressed position |
| -7 | FF/REW position |
| -8 | Between FF/REW and STOP with pinch roller compression ON |
| -9 | STOP with pinch roller compression OFF |
| -A | Between STOP with pinch roller compression OFF and REV |
| -B | REV (REV STILL/SLOW) position |
| -C | Between REV and FWD |
| -D | FWD (FWD STILL/SLOW) position |
| -E | Between FWD and PLAY |
| -F | PLAY position |

[Table of HD]

| Display | Mechanism Mode Position |
|---------|--|
| -0 | EJECT position |
| -1 | U/L STOP position |
| -2 | Tape being loaded/unloaded (When the pole base is located on the rear side of the position just beside the drum) |
| -3 | FF/REW position |
| -4 | STOP with pinch roller pressure off |
| -5 | REV (REV STILL/SLOW) position |
| -6 | FWD (FWD STILL/SLOW) position, PLAY position |
| -7 | Intermediate position during transition between other mechanism modes |

Note:

- As the display is always “-7” at any intermediate position between mechanism modes, the position of transitory EMG may sometimes not be locatable.

1.11.5 Emergency detail information ②

The type of the cassette tape and the cassette tape winding position can be confirmed based on the figure in EMG detail information ②.

[FDP display]

*5 : *6 : *7

*5 : Type of the cassette tape in use ①

*6 : Winding position of the cassette tape in use

*7 : Type of the cassette tape in use ② (Winding area)

Note:

- EMG detail information ② is the reference information stored using the remaining tape detection function of the cassette tape. As a result, it may not identify cassette correctly when a special cassette tape is used or when the tape has variable thickness.

*5 : Cassette tape type ①

| Display | Cassette Tape Type ① |
|---------|---|
| 00 | Cassette type not identified |
| 16 | Large reel/small reel (T-0 to T-15/T-130 to T-210) not classified |
| 82 | Small reel, thick tape (T-120) identified/thin tape (T-140) identified |
| 84 | Large reel (T-0 to T-60) identified |
| 92 | Small reel, thick tape (T-130) identified/thin tape (T-160 to T-210) identified |
| 93 | Small reel, thick tape/C cassette (T-0 to T-100/C cassette) not classified |
| C3 | Small reel, thick tape/C cassette (T-0 to T-100/C cassette) being classified |
| D3 | Small reel, thick tape/C cassette (T-0 to T-100/C cassette) being classified |
| E1 | C cassette, thick tape (TC-10 to TC-20) identified |
| E2 | Small reel, thick tape (T-0 to T-100) identified |
| E9 | C cassette, thin tape (TC-30 to TC-40) identified |
| F1 | C cassette, thick tape/thin tape (TC-10 to TC-40) not classified |

Notes:

- Cassette tape type ① is identified a few times during mode transition and the identification count is variable depending on the cassette tape type. If an EMG occurs in the middle of identification, the cassette tape type may not be able to be identified.
- If other value than those listed in the above table is displayed, the cassette tape type is not identified.

*6 : Cassette tape winding position

The cassette tape winding position at the moment of EMG is displayed by dividing the entire tape (from the beginning to the end) in 22 sections using a hex number from “00” to “15”.

“00” : End of winding

“15” : Beginning of winding

“FF” : Tape position not identified

*7 : Cassette tape type ② (Winding area)

| Display | Cassette Tape Type ② |
|---------|-------------------------------------|
| 00 | Cassette type not identified |
| 07 | Small reel, thick tape T-5 |
| 08 - 0E | C cassette, thick tape TC-10 |
| 09 - 15 | C cassette, thick tape TC-20P |
| 0A - 0B | Small reel, thick tape T-20 |
| 0A - 16 | C cassette, thin tape TC-30 |
| 0A - 16 | C cassette, thin tape TC-40 |
| 0D - 0F | Small reel, thick tape T-40 |
| 11 - 14 | Small reel, thick tape T-60 |
| 15 - 18 | Small reel, thick tape T-80/DF-160 |
| 17 - 1A | Small reel, thick tape T-80/DF-180 |
| 19 - 1D | Small reel, thick tape T-100 |
| 1D - 21 | Small reel, thick tape T-120/DF-240 |
| 1E - 1F | Small reel, thin tape T-140 |
| 1F - 23 | Small reel, thick tape T-130 |
| 21 - 23 | Small reel, thin tape T-160 |
| 21 - 23 | Small reel, thin tape T-168 |
| 22 - 24 | Small reel, thick tape DF-300 |
| 22 - 24 | Small reel, thin tape T-180/DF-380 |
| 22 - 24 | Small reel, thin tape T-210/DF-420 |
| 22 - 23 | Large reel T-5 |
| 23 - 24 | Large reel T-10 |
| 25 - 26 | Large reel T-20 |
| 27 - 29 | Large reel T-30 |
| 29 - 2B | Large reel T-40 |
| 2D - 2F | Large reel T-60 |

Note:

- The values of cassette tape type ② in the above table are typical values with representative cassette tapes.

SECTION 2 MECHANISM ADJUSTMENT

2.1 Before starting repair and adjustment

2.1.1 Precautions

- (1) Unplug the power cord plug of the VCR before using your soldering iron.
- (2) Take care not to cause any damage to the conductor wires when plugging and unplugging the connectors.
- (3) Do not randomly handle the parts without identifying where the trouble is.
- (4) Exercise enough care not to damage the lugs, etc. during the repair work.
- (5) When reattaching the front panel assembly, make sure that the door opener of the cassette holder assembly is lowered in position prior to the reinstallation. (See SECTION 1 DISASSEMBLY.)
- (6) When using the Jig RCU, it is required to set the VCR to the Jig RCU mode (the mode in which codes from the Jig RCU can be received). (See SECTION 1 DISASSEMBLY.)

2.1.2 Checking for proper mechanical operations

Enter the mechanism service mode when you want to operate the mechanism when no cassette is loaded. (See SECTION 1 DISASSEMBLY.)

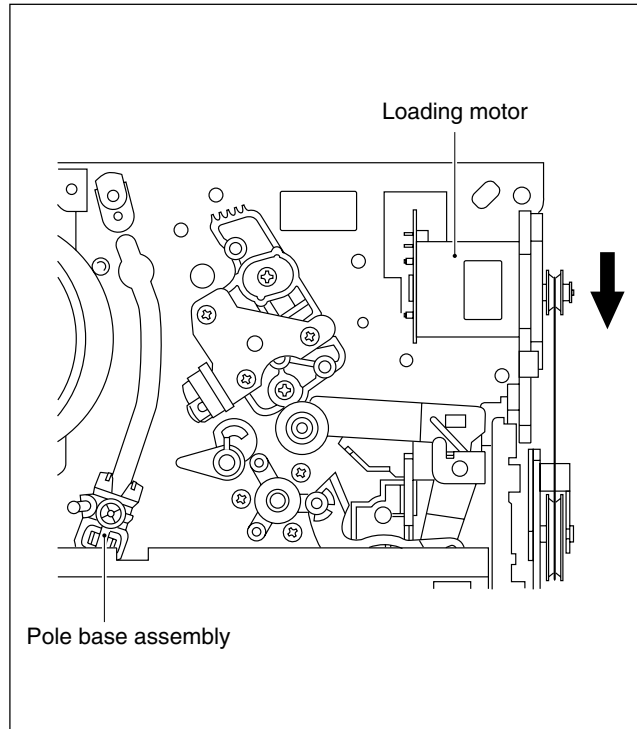


Fig. 2-1-3a

2.1.3 Manually removing the cassette tape

1. In case of electrical failures

If you cannot remove the cassette tape which is loaded because of any electrical failure, manually remove it by taking the following steps.

- (1) Unplug the power cord plug from the power outlet.
- (2) Refer to the disassembly procedure and perform the disassembly of the major parts before removing the drum assembly.
- (3) Unload the pole base assembly by manually turning the loading motor of the mechanism assembly toward the front. In doing so, hold the tape by the hand to keep the slack away from any grease. (See Fig.2-1-3a.)
- (4) Bring the pole base assembly to a pause when it reaches the position where it is hidden behind the cassette tape.
- (5) Move the top guide toward the drum while holding down the lug (A) of the bracket retaining the top guide. Likewise hold part (B) down and remove the top guide. Section (C) of the top guide is then brought under the cassette lid. Then remove the top guide by pressing the whole cassette tape down. (See Fig.2-1-3b.)
- (6) Remove the cassette tape by holding both the slackened tape and the cassette lid.
- (7) Take up the slack of the tape into the cassette. This completes removal of the cassette tape.

Note:

- For the disassembly procedure of the major parts and details of the precautions to be taken, see "SECTION 1 DISASSEMBLY".

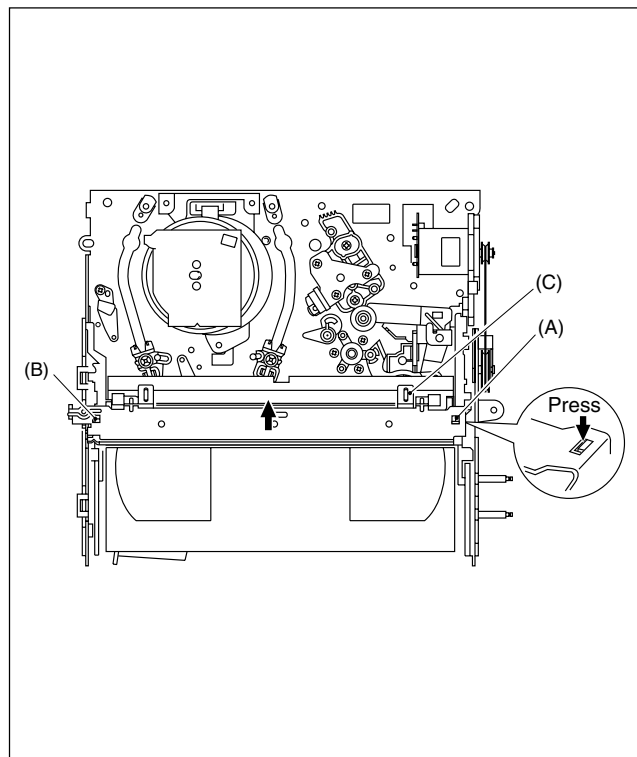


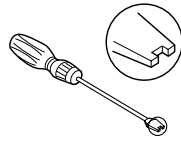

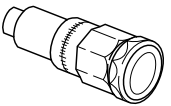
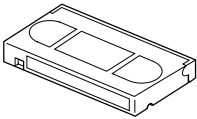
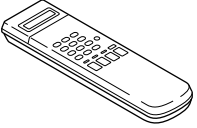
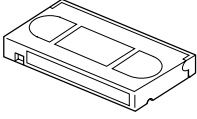
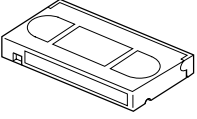
Fig. 2-1-3b

2. In case of mechanical failure

If you cannot remove the cassette tape which is loaded because of any mechanical failure, manually remove it by taking the following steps.

- (1) Unplug the power cable and remove the top cover, front panel assembly and others so that the mechanism assembly is visible. (See SECTION 1 DASSEMBLY.)
- (2) While keeping the tension arm assembly of the mechanism assembly free from tension, pull the tape on the pole base assembly (supply or take-up side) out of the guide roller. (See Fig.2-1-3c.)
- (3) Take the spring of the pinch roller arm assembly off the hook of the press lever assembly, and detach it from the tape. (See Fig.2-1-3d.)
- (4) In the same way as in the electrical failure instructions in 2.1.3-1(5), remove the top guide.
- (5) Raise the cassette tape cover. By keeping it in that position, draw out the cassette tape case from the cassette holder and take out the tape.
- (6) By hanging the pinch roller arm assembly spring back on the hook, take up the slack of the tape into the cassette.

2.1.4 Jigs and tools required for adjustment

| | | |
|--|---|---|
| Roller driver PTU94002 | A/C head positioning tool PTU94010 | Torque gauge PUJ48075-2 |
|  |  |  |
| Back tension cassette gauge PUJ48076-2 | Jig RCU PTU94023B | |
|  |  | |
| Alignment tape (SP, stairstep, PAL) MHPE | Alignment tape (LP, stairstep, PAL) MHPE-L | |
|  |  | |

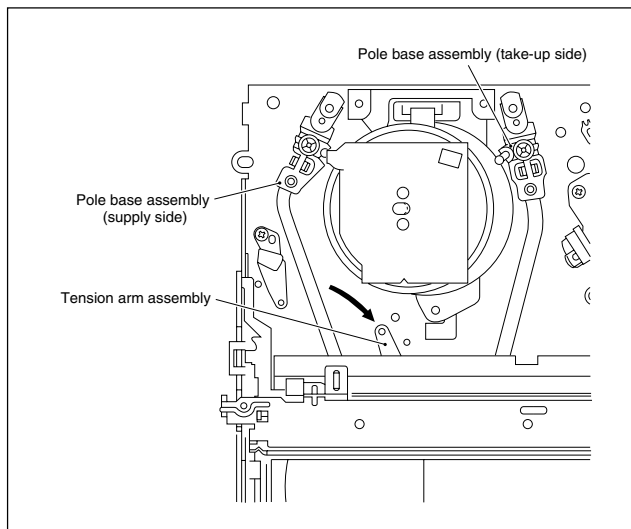


Fig. 2-1-3c

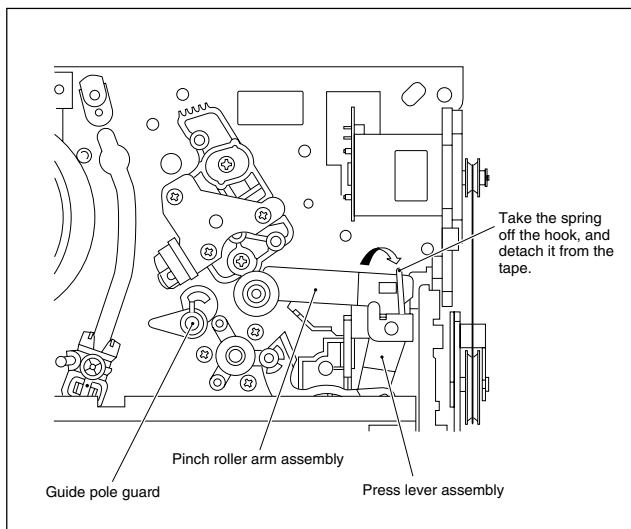


Fig. 2-1-3d

2.1.5 Maintenance and inspection

1. Location of major mechanical parts

In this chapter, the two mechanism speeds are described by comparing the speeds of the standard type and the high-speed FF/REW type.

It is possible to distinguish between these two types of mechanism by the diameters of their capstan pulleys.

The capstan pulley diameter for the standard type is approx. 32 mm.

The capstan pulley diameter for the high-speed FF/REW type is approx. 43 mm.

For information on the different parts used in the two mechanism types, please refer to the "Replacement of major parts".

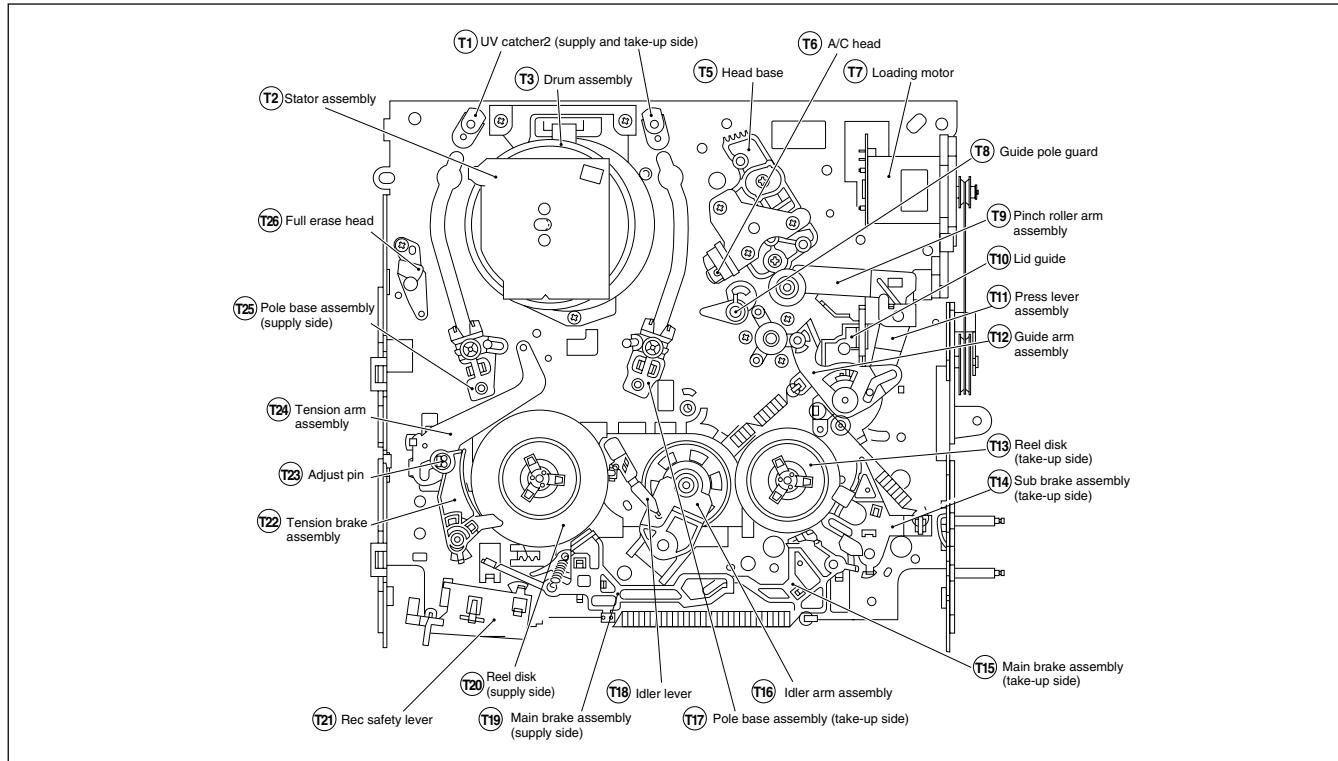


Fig. 2-1-5a Mechanism assembly top side

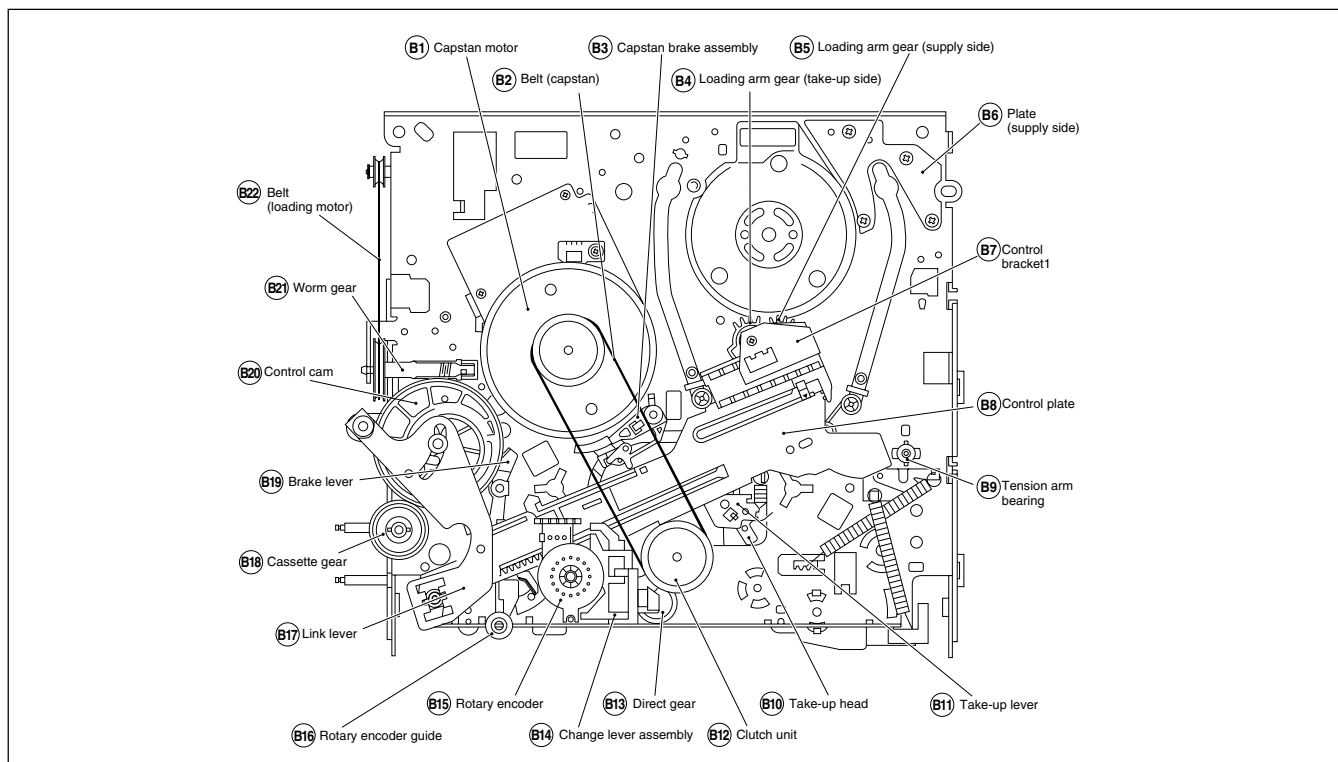


Fig. 2-1-5b Mechanism assembly bottom side

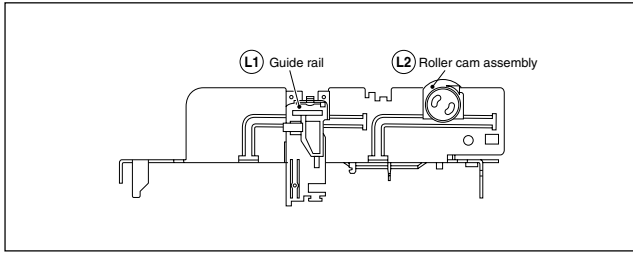


Fig. 2-1-5c Mechanism assembly left side

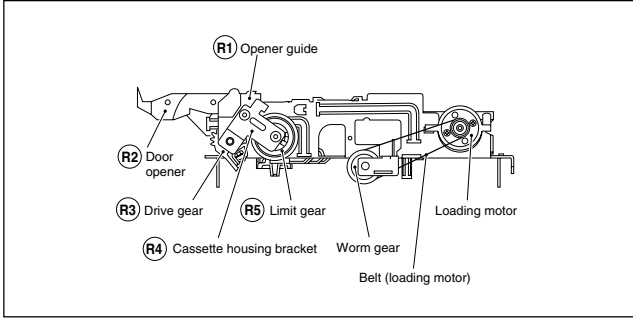


Fig. 2-1-5d Mechanism assembly right side

2. Cleaning

Regular cleaning of the transport system parts is desirable but practically impossible. So make it a rule to carry out cleaning of the tape transport system whenever the machine is serviced.

When the video head, tape guide and/or brush get soiled, the playback picture may appear inferior or at worst disappear, resulting in possible tape damage.

- (1) When cleaning the upper drum (especially the video head), soak a piece of closely woven cloth or Kimu-wipe with alcohol and while holding the cloth onto the upper drum by the fingers, turn the upper drum counterclockwise.

Note:

- **Absolutely avoid sweeping the upper drum vertically as this will cause damage to the video head.**

- (2) To clean the parts of the tape transport system other than the upper drum, use a piece of closely woven cloth or a cotton swab soaked with alcohol.

- (3) After cleaning, make sure that the cleaned parts are completely dry before using the video tape.

3. Lubrication

With no need for periodical lubrication, you have only to lubricate new parts after replacement. If any oil or grease on contact parts is soiled, wipe it off and newly lubricate the parts.

Note:

- **See the “mechanism assembly” diagram of the parts list for the lubricating or greasing spots, and for the types of oil or grease to be used.**

4. Suggested servicing schedule for main components

The following table indicates the suggested period for such service measures as cleaning, lubrication and replacement. In practice, the indicated periods will vary widely according to environmental and usage conditions. However, the indicated components should be inspected when a set is brought for service and the maintenance work performed if necessary. Also note that rubber parts may deform in time, even if the set is not used.

| System | Parts Name | Operation Hours | |
|----------------|---------------------------|-----------------|--------|
| | | ~1000H | ~2000H |
| Tape transport | Upper drum assembly | ★○ | ○ |
| | A/C head | ★○ | ★○ |
| | Lower drum assembly | ★ | ★○ |
| | Pinch roller arm assembly | ★ | ★ |
| | Full erase head | ★ | ★ |
| | Tension arm assembly | ★ | ★ |
| | Capstan motor (Shaft) | ★ | ★ |
| | Guide arm assembly | ★ | ★ |
| Drive | Capstan motor | | ○ |
| | Capstan brake assembly | | ○ |
| | Main brake assembly | | ○ |
| | Belt (Capstan) | ○ | ○ |
| | Belt (Loading motor) | | ○ |
| | Loading motor | | ○ |
| | Clutch unit | | ○ |
| | Worm gear | | ○ |
| Other | Control plate | | ○ |
| | Brush | ★○ | ★○ |
| | Tension brake assembly | ○ | ○ |
| | Rotary encoder | | ○ |

★ : Cleaning

○ : Inspection or replacement if necessary

Table 2-1-5a

5. Disassembling procedure table

The following table indicates the order in which parts are removed for replacement. To replace parts, remove them in the order of 1 to 18 as shown in the table. To install them, reverse the removal sequence.

The symbols and numbers preceding the individual part names represent the numbers in the “Location of major mechanical parts” table. Also, the “T”, “B”, and “T/B” on the right of each part name shows that the particular part is removed from the front, from the back, and from both sides of the mechanism, respectively.

| Symbols and numbers | Symbols and numbers | Removal parts (Reference items) Replacement parts | Front (T)/Back (B) of mechanism | Number of removal steps | L1 | L2 | R4 | R1 | — | — | R3 | — | T9 | T12 | T11 | T1 | B15 | B12 | B14 | B13 | — | B17 | B21 | B7 | B8 | B5 | B4 | B11 | T14 | T15 | T13 | T22 | T24 | T18 | B19 | |
|---------------------|---------------------|---|---------------------------------|-------------------------|------------|---------------------|--------------------------|--------------|------------|--------------------------|------------|-----------|---------------------------|--------------------|----------------------|-------------|----------------|-------------|-----------------------|-------------|---------------|------------|-----------|------------------|---------------|--------------------------------|---------------------------------|---------------|-----------------------------------|------------------------------------|--------------------------|------------------------|----------------------|-------------|------------------|--|
| | | | | | Guide rail | Roller cam assembly | Cassette housing bracket | Opener guide | Relay gear | Cassette holder assembly | Drive gear | Drive arm | Pinch roller arm assembly | Guide arm assembly | Press lever assembly | UV catcher2 | Rotary encoder | Clutch unit | Change lever assembly | Direct gear | Coupling gear | Link lever | Worm gear | Control bracket1 | Control plate | Loading arm gear (supply side) | Loading arm gear (take-up side) | Take-up lever | Sub brake assembly (take-up side) | Main brake assembly (take-up side) | Reel disk (take-up side) | Tension brake assembly | Tension arm assembly | Idler lever | Brake lever (*1) | |
| L1 | 2.2.3 | Guide rail | T | 1 | | | | | | | | | | | | | | | | | | | | | | | | | | | | | | | | |
| L2 | 2.2.3 | Roller cam assembly | T | 1 | | | | | | | | | | | | | | | | | | | | | | | | | | | | | | | | |
| R4 | 2.2.3 | Cassette housing bracket | T | 1 | | | | | | | | | | | | | | | | | | | | | | | | | | | | | | | | |
| R1 | 2.2.3 | Opener guide | T | 2 | | | 1 | | | | | | | | | | | | | | | | | | | | | | | | | | | | | |
| R2 | 2.2.3 | Door opener | T | 3 | | | 1 | 2 | | | | | | | | | | | | | | | | | | | | | | | | | | | | |
| — | 2.2.3 | Relay gear | T | 3 | | | 1 | 2 | | | | | | | | | | | | | | | | | | | | | | | | | | | | |
| R5 | 2.2.3 | Limit gear | T | 3 | | | 1 | 2 | | | | | | | | | | | | | | | | | | | | | | | | | | | | |
| — | 2.2.3 | Cassette holder assembly | T | 6 | 1 | 2 | 3 | 4 | 5 | | | | | | | | | | | | | | | | | | | | | | | | | | | |
| R3 | 2.2.3 | Drive gear | T | 4 | | | 1 | 2 | 3 | | | | | | | | | | | | | | | | | | | | | | | | | | | |
| — | 2.2.3 | Drive arm | T | 8 | 1 | 2 | 3 | 4 | 5 | 6 | 7 | | | | | | | | | | | | | | | | | | | | | | | | | |
| T9 | 2.2.4 | Pinch roller arm assembly | T | 1 | | | | | | | | | | | | | | | | | | | | | | | | | | | | | | | | |
| T12 | 2.2.5 | Guide arm assembly | T | 1 | | | | | | | | | | | | | | | | | | | | | | | | | | | | | | | | |
| T11 | 2.2.5 | Press lever assembly | T | 3 | | | | | | | | | 1 | 2 | | | | | | | | | | | | | | | | | | | | | | |
| T6 | 2.2.6 | A/C head | T | 1 | | | | | | | | | | | | | | | | | | | | | | | | | | | | | | | | |
| T7 | 2.2.7 | Loading motor | T | 1 | | | | | | | | | | | | | | | | | | | | | | | | | | | | | | | | |
| B1 | 2.2.8 | Capstan motor | T/B | 1 | | | | | | | | | | | | | | | | | | | | | | | | | | | | | | | | |
| T1 | 2.2.9 | UV catcher2 | T | 1 | | | | | | | | | | | | | | | | | | | | | | | | | | | | | | | | |
| T17 | 2.2.9 | Pole base assembly (take-up side) | T/B | 2 | | | | | | | | | | | | | 1 | | | | | | | | | | | | | | | | | | | |
| T25 | 2.2.9 | Pole base assembly (supply side) | T/B | 2 | | | | | | | | | | | | | 1 | | | | | | | | | | | | | | | | | | | |
| B15 | 2.2.10 | Rotary encoder | B | 1 | | | | | | | | | | | | | | | | | | | | | | | | | | | | | | | | |
| B12 | 2.2.11 | Clutch unit | B | 1 | | | | | | | | | | | | | | | | | | | | | | | | | | | | | | | | |
| B14 | 2.2.12 | Change lever assembly | B | 3 | | | | | | | | | | | | | 1 | 2 | | | | | | | | | | | | | | | | | | |
| B13 | 2.2.12 | Direct gear | B | 4 | | | | | | | | | | | | | 1 | 2 | 3 | | | | | | | | | | | | | | | | | |
| — | 2.2.12 | Coupling gear | B | 5 | | | | | | | | | | | | | 1 | 2 | 3 | 4 | | | | | | | | | | | | | | | | |
| — | 2.2.12 | Clutch gear | B | 6 | | | | | | | | | | | | | 1 | 2 | 3 | 4 | 5 | | | | | | | | | | | | | | | |
| B17 | 2.2.13 | Link lever | B | 1 | | | | | | | | | | | | | | | | | | | | | | | | | | | | | | | | |
| B18 | 2.2.14 | Cassette gear | B | 2 | | | | | | | | | | | | | | | | | | | 1 | | | | | | | | | | | | | |
| B20 | 2.2.14 | Control cam | B | 2 | | | | | | | | | | | | | | | | | | | 1 | | | | | | | | | | | | | |
| B21 | 2.2.14 | Worm gear | B | 1 | | | | | | | | | | | | | | | | | | | | | | | | | | | | | | | | |
| T10 | - | Lid guide | T/B | 5 | | | | | | | | | 1 | 2 | 3 | | | | | | | | | 4 | | | | | | | | | | | | |
| B7 | 2.2.15 | Control bracket1 | B | 1 | | | | | | | | | | | | | | | | | | | | | | | | | | | | | | | | |
| B8 | 2.2.15 | Control plate | B | 6 | | | | | | | | | | | | | 1 | 2 | 3 | | | | 4 | | 5 | | | | | | | | | | | |
| B5 | 2.2.16 | Loading arm gear (supply side) | B | 7 | | | | | | | | | | | | | 1 | 2 | 3 | | | | 4 | | 5 | 6 | | | | | | | | | | |
| B4 | 2.2.16 | Loading arm gear (take-up side) | B | 8 | | | | | | | | | | | | | 1 | 2 | 3 | | | | 4 | | 5 | 6 | 7 | | | | | | | | | |
| — | 2.2.16 | Loading arm gear shaft | B | 9 | | | | | | | | | | | | | 1 | 2 | 3 | | | | 4 | | 5 | 6 | 7 | 8 | | | | | | | | |
| B11 | 2.2.17 | Take-up lever | T/B | 7 | | | | | | | | | | | | | 1 | 2 | 3 | | | | 4 | | 5 | 6 | | | | | | | | | | |
| B10 | 2.2.17 | Take-up head | T/B | 8 | | | | | | | | | | | | | 1 | 2 | 3 | | | | 4 | | 5 | 6 | | | 7 | | | | | | | |
| — | 2.2.17 | Control plate guide | T/B | 8 | | | | | | | | | | | | | 1 | 2 | 3 | | | | 4 | | 5 | 6 | | | 7 | | | | | | | |
| B3 | 2.2.18 | Capstan brake assembly | T/B | 7 | | | | | | | | | | | | | 1 | 2 | 3 | | | | 4 | | 5 | 6 | | | | | | | | | | |
| T14 | 2.2.19 | Sub brake assembly (take-up side) | T/B | 15 | 1 | 2 | 3 | 4 | 5 | 6 | 7 | 8 | | | | | 9 | 10 | 11 | | | | 12 | | 13 | 14 | | | | | | | | | | |
| T15 | 2.2.20 | Main brake assembly (take-up side) | T/B | 16 | 1 | 2 | 3 | 4 | 5 | 6 | 7 | 8 | | | | | 9 | 10 | 11 | | | | 12 | | 13 | 14 | | | 15 | | | | | | | |
| T19 | 2.2.20 | Main brake assembly (supply side) | T/B | 9 | 1 | 2 | 3 | 4 | 5 | 6 | 7 | 8 | | | | | | | | | | | | | | | | | | | | | | | | |
| T13 | 2.2.20 | Reel disk (take-up side) | T/B | 16 | 1 | 2 | 3 | 4 | 5 | 6 | 7 | 8 | | | | | 9 | 10 | 11 | | | | 12 | | 13 | 14 | | | 15 | | | | | | | |
| T22 | 2.2.21 | Tension brake assembly | T/B | 9 | 1 | 2 | 3 | 4 | 5 | 6 | 7 | 8 | | | | | | | | | | | | | | | | | | | | | | | | |
| T20 | 2.2.21 | Reel disk (supply side) | T/B | 10 | 1 | 2 | 3 | 4 | 5 | 6 | 7 | 8 | | | | | | | | | | | | | | | | | | | | | | 9 | | |
| T24 | 2.2.21 | Tension arm assembly | T/B | 10 | 1 | 2 | 3 | 4 | 5 | 6 | 7 | 8 | | | | | | | | | | | | | | | | | | | | | | | | |
| B9 | 2.2.21 | Tension arm bearing | T/B | 10 | 1 | 2 | 3 | 4 | 5 | 6 | 7 | 8 | | | | | | | | | | | | | | | | | | | | | | | | |
| T18 | 2.2.22 | Idler lever | T/B | 17 | 1 | 2 | 3 | 4 | 5 | 6 | 7 | 8 | | | | | 9 | 10 | 11 | | | | 12 | | 13 | 14 | | | | | 15 | 16 | | | | |
| T16 | 2.2.22 | Idler arm assembly | T/B | 18 | 1 | 2 | 3 | 4 | 5 | 6 | 7 | 8 | | | | | 9 | 10 | 11 | | | | 12 | | 13 | 14 | | | | | 15 | 16 | 17 | | | |
| B19 | - | Brake lever (*1) | T/B | 18 | 1 | 2 | 3 | 4 | 5 | 6 | 7 | 8 | | | | | 9 | 10 | 11 | | | | 12 | | 13 | 14 | | | 15 | 16 | 17 | | | | | |
| B16 | - | Rotary encoder guide | T/B | 19 | 1 | 2 | 3 | 4 | 5 | 6 | 7 | 8 | | | | | 9 | 10 | 11 | | | | 12 | | 13 | 14 | | | 15 | 16 | 17 | | | | 18 | |

Table 2-1-5b

Note:

- The parts with marked (*) have different types of mechanisms (standard type or high-speed FF/REW type).
 - ★ 1 : Uses the standard type mechanism only.
 - ★ 2 : Uses the high-speed FF/REW type mechanism only.

2.2 Replacement of major parts

2.2.1 Before starting disassembling (Phase matching between mechanical parts)

The mechanism of this unit is closely linked with the rotary encoder and system controller circuits.

Since the system controller detects the status of mechanical operation in response to phases of the rotary encoder (internal switch positions), the mechanism may not operate properly unless such parts as the rotary encoder, control plate, loading arm gear, control cam, cassette gear, limit gear, relay gear and drive gear are installed in their correct positions.

Especially, this model is not provided with any cassette housing assembly, so that cassette loading and unloading must be accomplished by operation of the cassette holder assembly. The latter is in turn driven by such parts as the drive gear, relay gear and limit gear. Exercise enough care, therefore, to have the phases of all this gear matching one another. (For information on phase matching of the mechanism, see the instructions on how to install individual parts.)

This unit is provided with a mechanism assembly mode. It is therefore necessary to enter this mode for assembling and disassembling procedures.

This mode is usually not in use, manually set it when it is required.

2.2.2 How to set the "Mechanism assembling mode"

Remove the mechanism assembly and place it bottom side up. (See SECTION 1 DISASSEMBLY.) Turn the worm gear toward the front so that the guide hole of the control cam is brought into alignment with the hole at the mechanism assembly chassis. This position renders the mechanism assembling mode operational. Make sure that the control plate is located in alignment with the mark E. (See Fig.2-2-2a.)

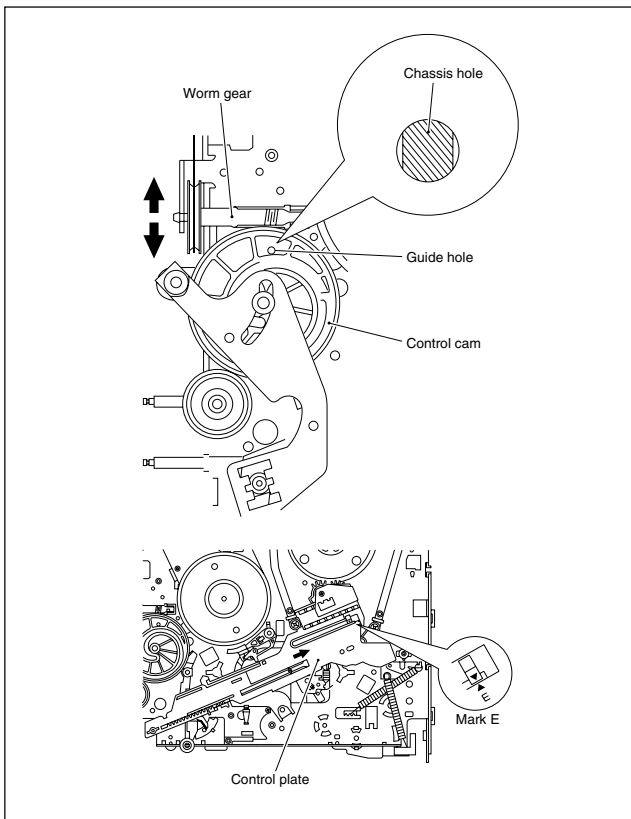


Fig. 2-2-2a

2.2.3 Cassette holder assembly

1. How to remove

- (1) Remove the guide rail and roller cam assembly. (See Fig.2-2-3a.)
(3 lugs on the guide rail and one lug on the roller cam assembly)

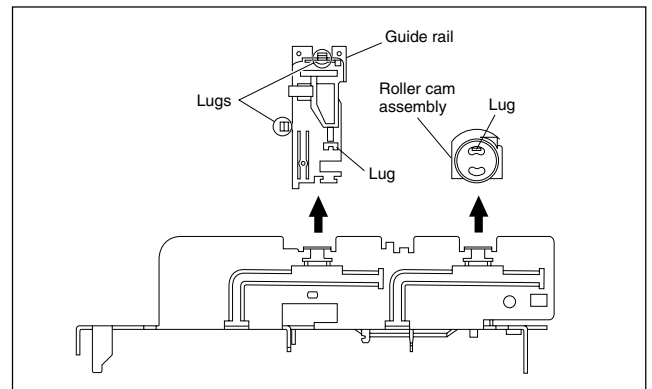


Fig. 2-2-3a

- (2) Remove the two slit washers and remove the cassette housing bracket. (See Fig.2-2-3b.)
- (3) Remove the opener guide, spring(A), door opener, relay gear and limit gear. (See Fig.2-2-3b.)

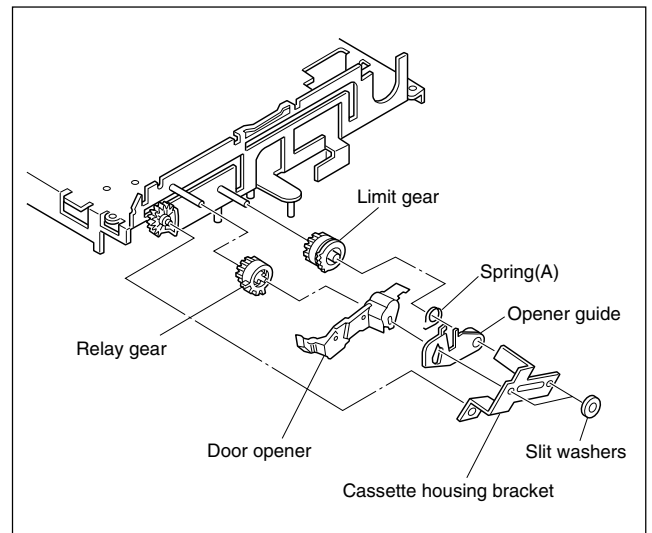


Fig. 2-2-3b

- (4) While swinging the lock levers (R) and (L) of the cassette holder assembly toward the front, slide the cassette holder assembly until its legs come to where the guide rail and the roller cam assembly have been removed (so that the drive arm is upright). (See Fig.2-2-3c.)

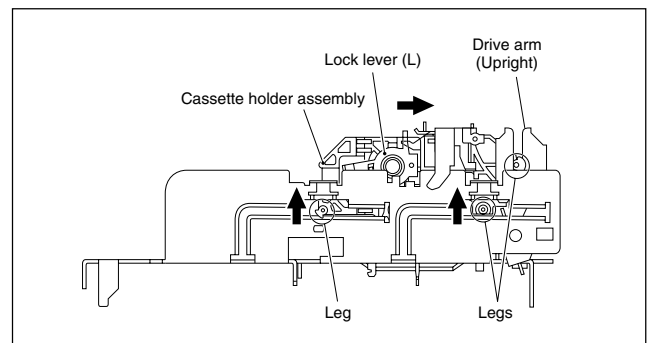


Fig. 2-2-3c

- (5) While holding the left side of the cassette holder, lift the cassette holder assembly so that the three legs on the left side are all released. Then pull the legs (A) and (B) on the right side out of the rail and also pull up the leg (C). (See Fig.2-2-3d and Fig.2-2-3e.)
- (6) Draw out the drive gear, and remove the drive arm.

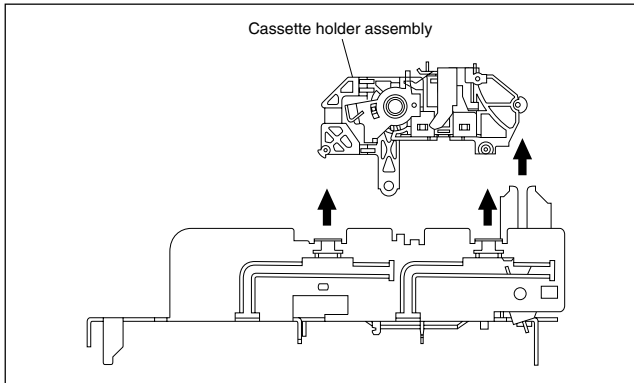


Fig. 2-2-3d

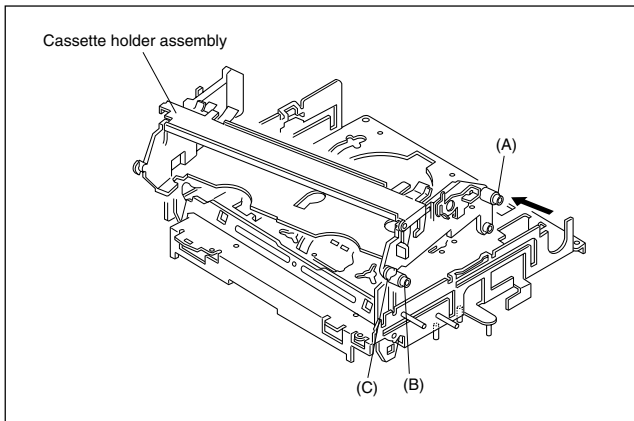


Fig. 2-2-3e

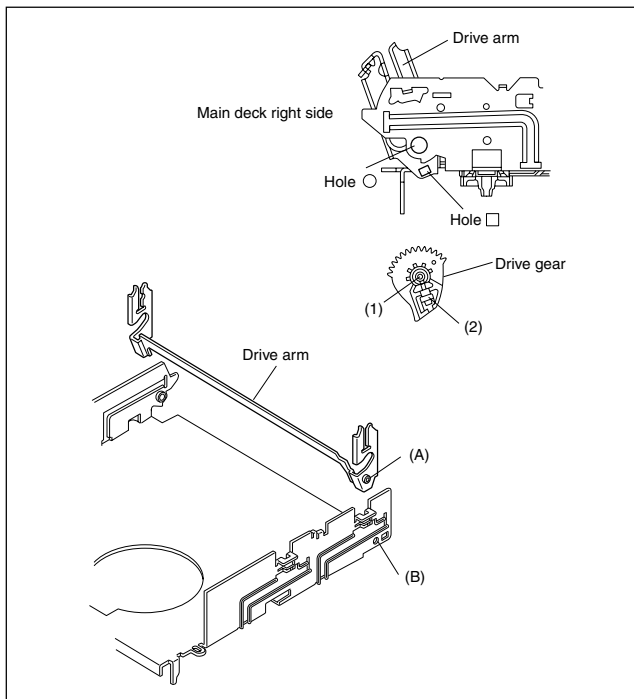


Fig. 2-2-3f

2. How to install (Phase matching)

- (1) Insert the section (A) of the drive arm into the section (B) of the main deck.
- (2) Insert the section (1) of the drive gear into the round hole, and the section (2) into the square hole on the drive arm. (See Fig.2-2-3f.)
- (3) Hold the drive arm upright and fit the leg (C) on the right side of the cassette holder assembly into the groove. (See Fig.2-2-3g.)
- (4) While swinging the lock lever (R) of the cassette holder assembly toward the front, put the legs (A) and (B) into the rail. (See Fig.2-2-3g.)
- (5) Drop the three legs on the left side of the cassette holder assembly into the groove at one time. (See Fig.2-2-3h.)
- (6) Slide the whole cassette holder assembly toward the front to bring it to the eject end position.
- (7) Install the limit gear so that the notch on the outer circumference of the limit gear is brought into alignment with the guide hole on the main deck. (See Fig.2-2-3i.)
- (8) Install so that the notch on the periphery of the relay gear is aligned with the notch of the main deck and that hole A of the relay gear is aligned with the hole A of the limit gear and that hole B of the relay gear is aligned with the hole B of the drive gear. (See Fig.2-2-3i.)
- (9) Install the door opener, opener guide, spring(A) and cassette housing bracket and fasten the two slit washers.

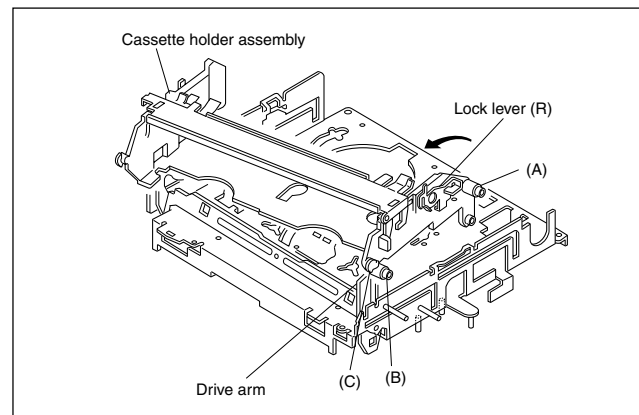


Fig. 2-2-3g

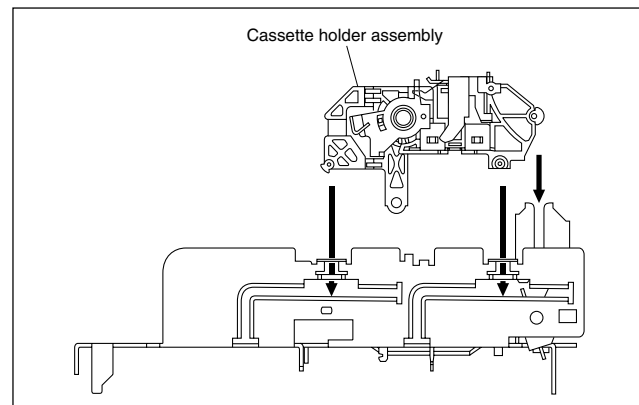


Fig. 2-2-3h

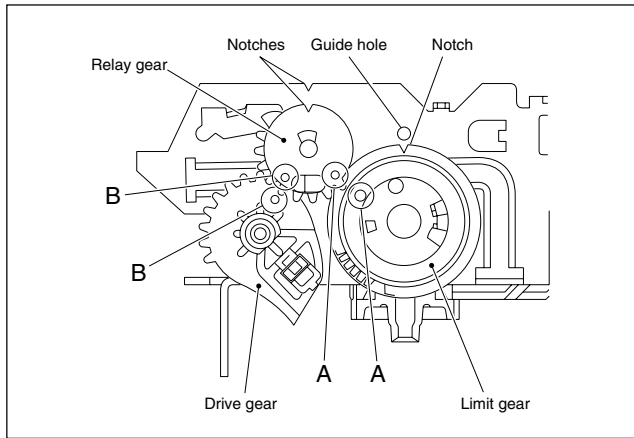


Fig. 2-2-3i

2.2.4 Pinch roller arm assembly

1. How to remove

- (1) Remove the spring from the hook of the press lever assembly.
- (2) Remove the slit washer and remove the pinch roller seat 2. (See Fig.2-2-4a.)
- (3) Remove the pinch roller arm assembly by pulling it up.

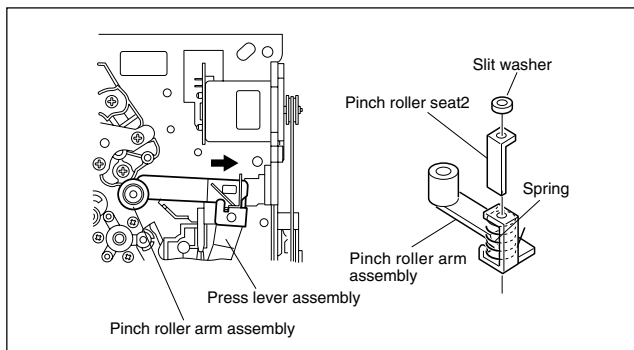


Fig. 2-2-4a

2.2.5 Guide arm assembly and press lever assembly

1. How to remove

- (1) Remove the spring and expand the lug of the lid guide in the arrow-indicated direction. Then remove the guide arm assembly by pulling it up.
- (2) Remove the press lever assembly by pulling it up. (See Fig.2-2-5a.)

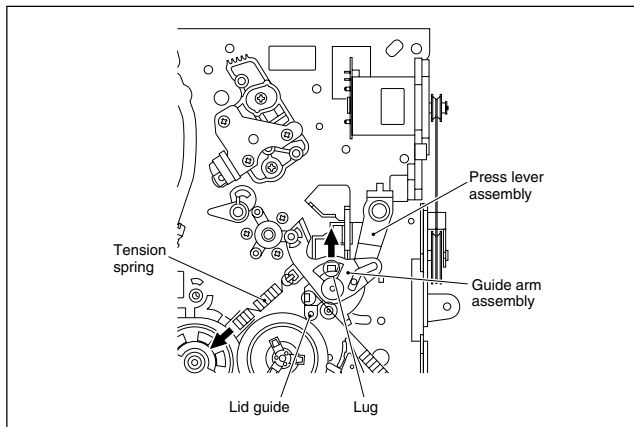


Fig. 2-2-5a

2.2.6 A/C head

1. How to remove

- (1) Remove the two screws (A) and remove the A/C head together with the head base.
- (2) When replacing only the A/C head, remove the three screws (B) while controlling the compression spring.

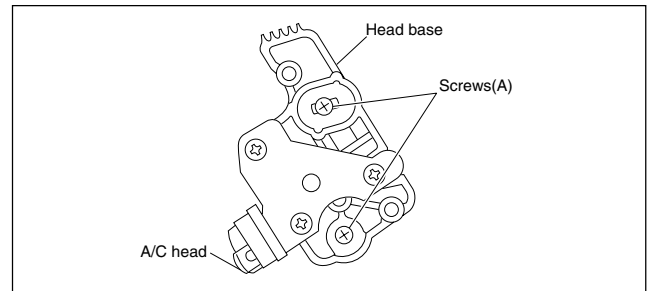


Fig. 2-2-6a

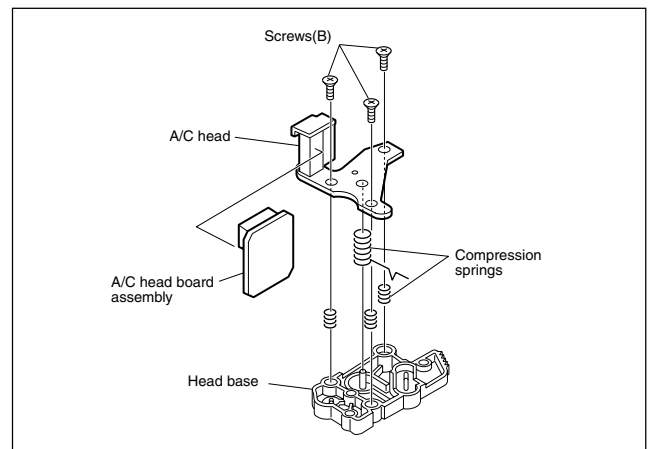


Fig. 2-2-6b

2. How to install

- (1) To make the post-installation adjustment easier, set the temporary level as indicated in Fig.2-2-6c. Also make sure that the screw center (centre) is brought into alignment with the center (centre) position of the slot.

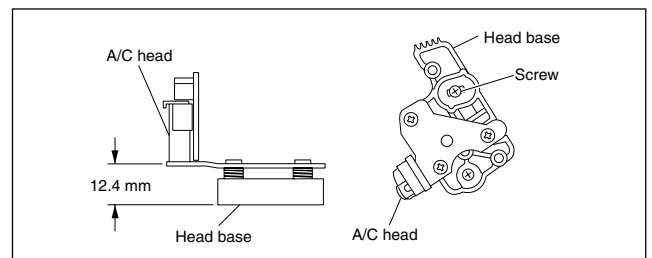


Fig. 2-2-6c

2.2.7 Loading motor

1. How to remove

- (1) Remove the belt wound around the worm gear.
- (2) Open the two lugs of the motor guide and remove the loading motor, loading motor board assembly and motor guide altogether by pulling them up.
- (3) When replacing the loading motor board assembly, take care with the orientation of the loading motor. (Install so that the loading motor label faces upward.)
- (4) When the motor pulley has been replaced, choose the fitting dimension as indicated in Fig.2-2-7a.

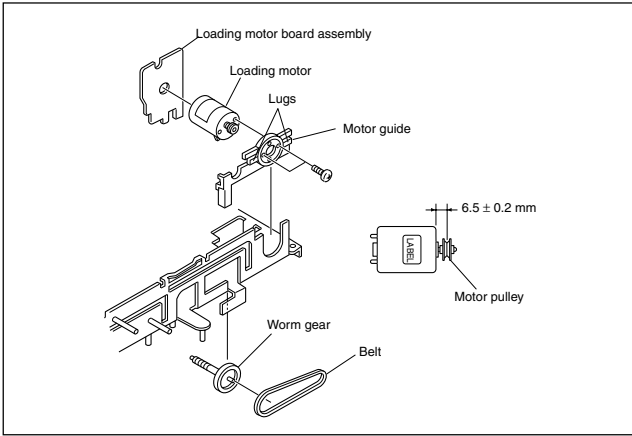


Fig. 2-2-7a

2.2.8 Capstan motor

1. How to remove

- (1) Remove the belt (capstan) on the mechanism assembly back side.
- (2) Remove the three screws (A) and remove the capstan motor.

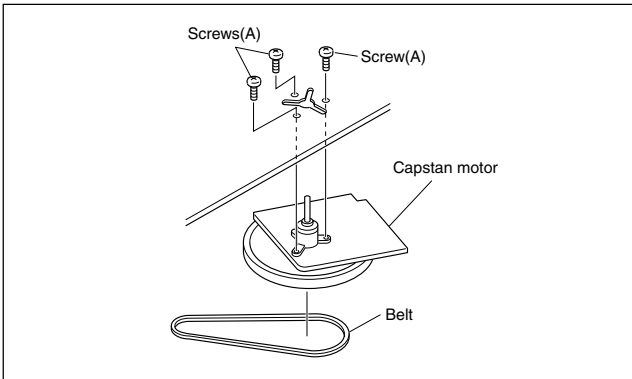


Fig. 2-2-8a

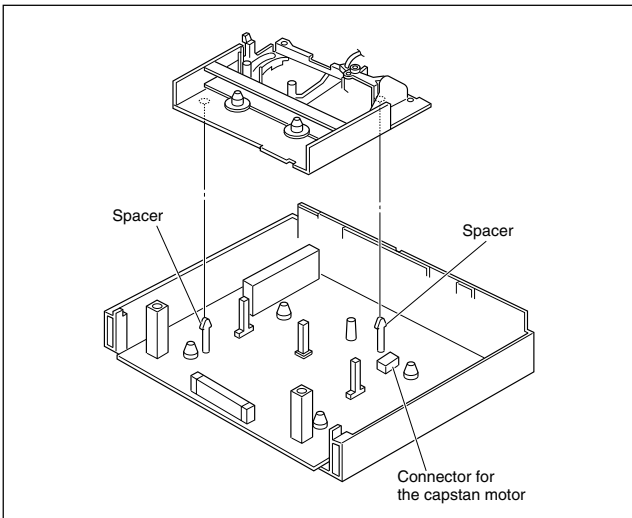


Fig. 2-2-8b

2. How to install (Centering the mounting position)

When the capstan motor has once been removed and then reinstalled out of the initial correct position in the rotational direction, the capstan motor current may be unstable during operation in high or low temperatures. This may result in greater Wow & Flutter and occasionally in power breakdown because of current over - load. Install the capstan motor while following the procedure given below.

(The capstan motor is centrally located when the unit is shipped from the factory.)

- (1) Provisionally tighten the three screws (A) securing the capstan motor.
- (2) Install the mechanism assembly to which the capstan motor is provisionally fastened on the bottom chassis which incorporates the Main board assembly. (No need to tighten the screws for mounting the mechanism.) Make sure that all the connectors for the mechanism assembly and the Main board assembly are correctly installed as indicated in Fig. 2-2-8b.
- (3) Making sure that the connector for the capstan motor is correctly mounted, and securely tighten the three screws (A).

Note:

- **When the capstan motor has been replaced with a new one, perform recording in the EP(or LP) mode for at least 2 minutes at normal temperatures immediately before starting the FF/REW or SEARCH operations (Aging).**

2.2.9 Pole base assembly (supply or take-up side)

1. How to remove

- (1) Remove the UV catcher 2 on the removal side by loosening the screw (A).
- (2) Remove the pole base assembly on the supply side from the mechanism assembly by loosening the screw (B) on the mechanism assembly back side and sliding the pole base assembly toward the UV catcher 2.
- (3) As for the pole base assembly on the take-up side, turn the pulley of the loading motor to lower the cassette holder because the screw (B) is hidden under the control plate. (See the "Procedures for Lowering the Cassette holder assembly" of 1.3 DISASSEMBLY/ASSEMBLY METHOD.) Further turn the motor pulley to move the cassette holder until the screw (B) is no longer under the control plate (in the half-loading position). Then remove it as done for the supply side by removing the screw (B).

Note:

- **After reinstalling the Pole base assembly and the UV catcher2, be sure to perform compatibility adjustment.**

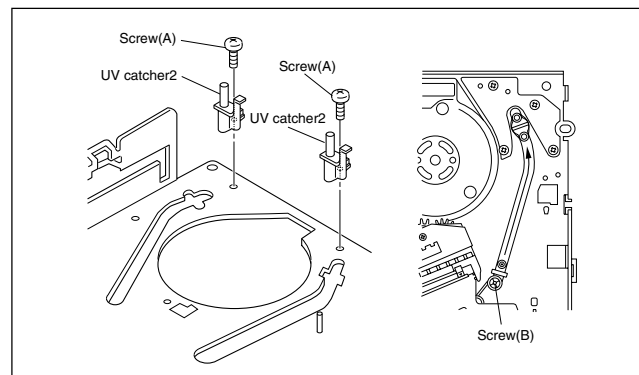


Fig. 2-2-9a

2.2.10 Rotary encoder

1. How to remove

- (1) Remove the screw (A) and remove the rotary encoder by pulling it up. (See Fig. 2-2-10a.)

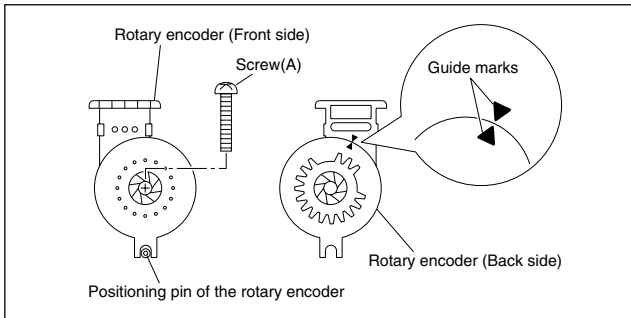


Fig. 2-2-10a

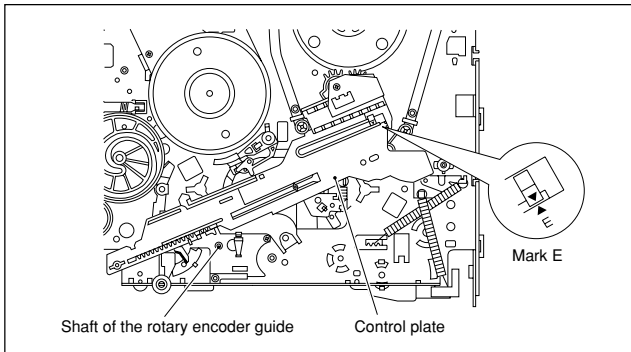


Fig. 2-2-10b

2. How to install (Phase matching)

- (1) Make sure that the mark E of the control plate is in alignment with the mark ▼ of the loading arm gear shaft and bring the guide marks on the rotary encoder into alignment as indicated in Fig.2-2-10a. (See Fig. 2-2-10a and Fig. 2-2-10b.)
- (2) Turn over the rotary encoder with its guide marks kept in alignment and install it by fitting on the shaft of the rotary encoder guide and the positioning pin.
- (3) Tighten the screw (A) to complete the installation.

2.2.11 Clutch unit

- (1) Remove the belt wound around the capstan motor and the clutch unit.
- (2) Remove the slit washer and remove the clutch unit.

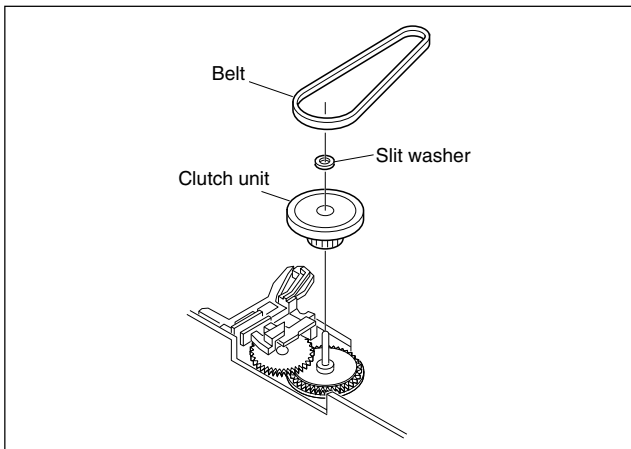


Fig. 2-2-11a

2.2.12 Change lever assembly, direct gear, clutch gear and coupling gear

1. How to remove

- (1) Release the two lugs of the rotary encoder guide in the arrow-indicated direction and remove the change lever assembly.
- (2) Remove the slit washer retaining the direct gear and remove the latter. Take care so as not to lose the washer and spring. (See Fig.2-2-12a.)

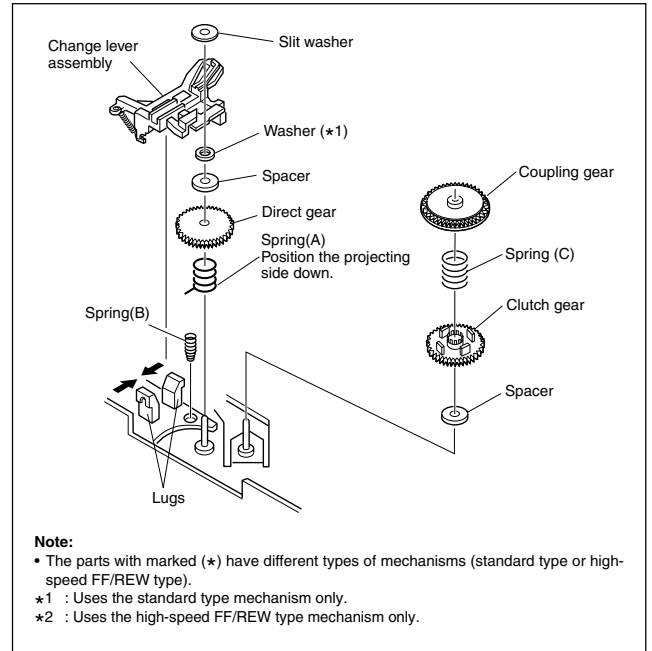


Fig. 2-2-12a

2. How to install

- (1) Install the clutch gear, spring (A), spring (C), direct gear, spacer and others to the individual shafts of the main deck, and finally the slit washer. (See Fig.2-2-12a.)
- (2) Let the spring (B) drops into the rotary encoder guide hole and install the change lever assembly.(Take care not to mistake a direction of the spring.) The point is to slightly lift the coupling gear and catch it from the both sides with the assembly. (See Fig.2-2-12b.)

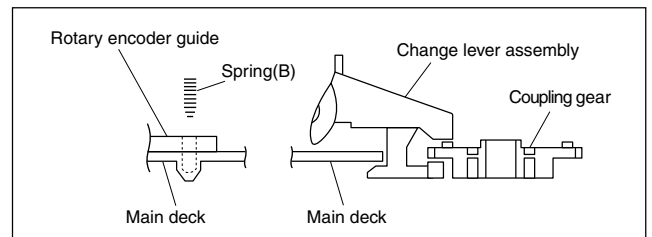


Fig. 2-2-12b

2.2.13 Link lever

1. How to remove

- (1) Remove the two slit washers.
- (2) Remove the link lever by lifting it from the shaft retained by the slit washers. Then swing the link lever counterclockwise and remove it from the locking section of the control plate.

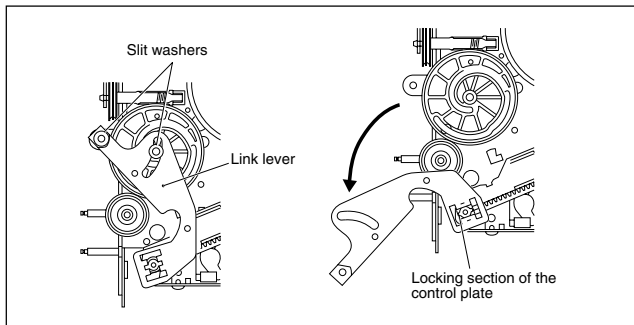


Fig. 2-2-13a

2. How to install (Phase matching)

- (1) Slide the control plate so that its mark E is aligned with the mark ▼ on the loading arm gear shaft. (See Fig.2-2-13b.)
- (2) Rotate the worm gear until the guide hole of the control cam is aligned exactly with the guide hole of the main deck. (See Fig.2-2-13c.)
- (3) Insert the link lever into the locking section of the control plate. (See Fig.2-2-13a.)
- (4) Rotate the link lever clockwise so that it is installed on the shafts in the center (centre) and on the left of the control cam.
- (5) Fasten the slit washers at these two points.

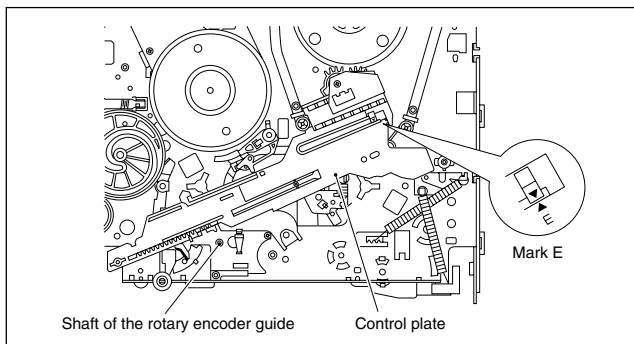


Fig. 2-2-13b

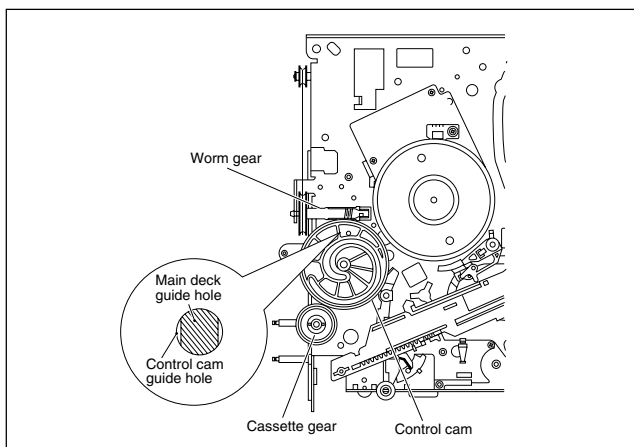


Fig. 2-2-13c

2.2.14 Cassette gear, control cam and worm gear

1. How to remove

- (1) Remove the control cam by lifting it.
- (2) Open the two lugs of the cassette gear outward and pull the latter off.
- (3) Remove the belt wound around the worm gear and the loading motor.
- (4) Open the lug of the lid guide outward and remove the worm gear.

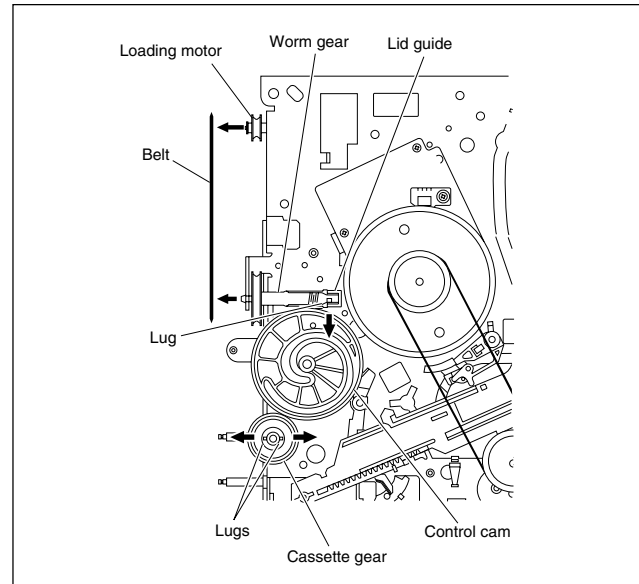


Fig. 2-2-14a

2.2.15 Control plate

1. How to remove

- (1) Remove the screw (A) retaining the control bracket 1 and remove the latter.
- (2) Slide the control plate as indicated by the arrow and remove the control plate. (See Fig.2-2-15a.)

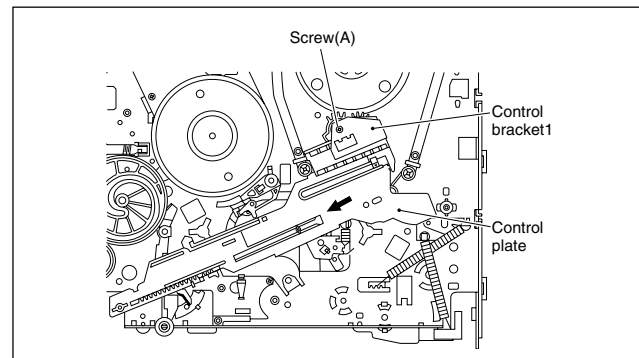


Fig. 2-2-15a

2. How to install (Phase matching)

- (1) Adjust the position of the idler arm assembly pin as indicated in Fig.2-2-15b (to the left of center (centre) of the R section).
- (2) Bring the guide hole of the take-up lever into alignment with the hole at the control plate guide and fix the position by inserting a 1.5 mm hexagonal wrench.

- (3) Install the control plate so that the section A of the loading arm gear shaft fits into the hole (A) of the control plate, the section B of the control plate guide into the hole (B), and the control plate comes under the section C of the rotary encoder guide and the section D of the loading arm gear shaft while press-fit the pole base assembly (supply side) as indicated by the arrow. It is important that the tension arm assembly shaft is positioned closer toward you than the control plate. (See Fig.2-2-15c.)
- (4) Make sure that the mark E of the control plate is in alignment with the mark ▼ of the loading arm gear shaft. (See Fig.2-2-15c.)
- (5) Pull off the hexagonal wrench for positioning.

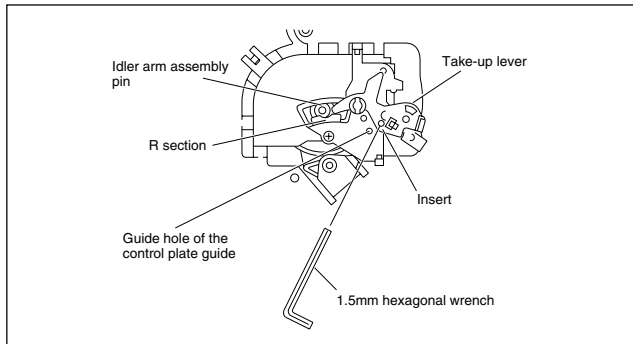


Fig. 2-2-15b

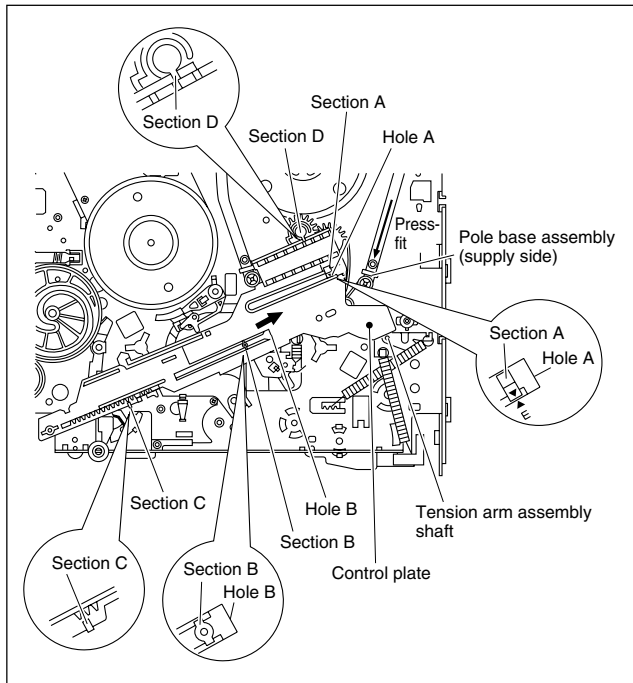


Fig. 2-2-15c

2.2.16 Loading arm gear (supply or take-up side) and loading arm gear shaft

1. How to remove

- (1) Remove the loading arm gear (supply side) by loosening the screw (A). (See Fig. 2-2-16a.)
- (2) Remove the screw (B) and remove the torsion arm from the pole base assembly (take-up side). (See Fig.2-2-16a.)

- (3) Turn the loading arm gear (take-up side) clockwise so that the notch of the loading arm gear (take-up side) is in alignment with the projection of the loading arm gear shaft and lift it. Likewise, turn the loading arm counterclockwise so that the notch is in alignment with the projection and remove the loading arm gear (take-up side). (See Fig.2-2-16a and Fig. 2-2-16b.)
- (4) When removing the loading arm gear shaft, be sure of first removing the screw retaining the drum assembly (on the back side of the loading arm gear shaft). Then remove the screw (C) and remove the loading arm gear shaft by sliding it.

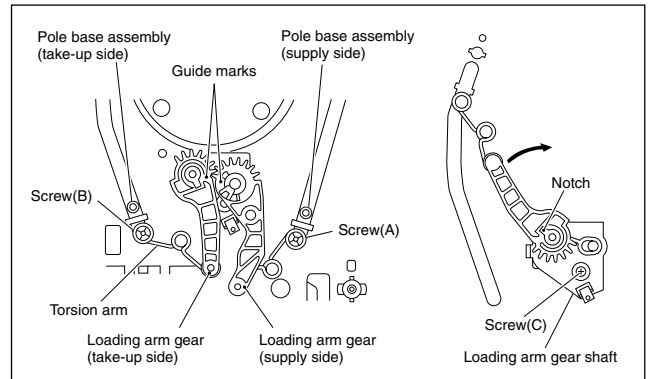


Fig. 2-2-16a

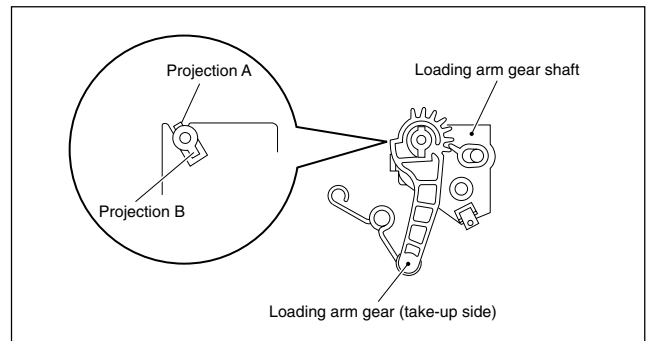


Fig. 2-2-16b

2. How to install

- (1) Align the notch of the loading arm gear (take-up side) to the projection B of the loading arm gear shaft and slip it over. Then rotate it clockwise for alignment with the projection A and slip it down to the bottom. (See Fig.2-2-16b.)
- (2) Then turn the loading arm gear (take-up side) counterclockwise. Hang the torsion arm on the pole base assembly (take-up side) and tighten the screw (B).
- (3) Install the loading arm gear (supply side) so that the guide mark of the loading arm gear (take-up side) is in alignment with the guide mark of the loading arm gear (supply side). Then hang the torsion arm on the pole base assembly (supply side) and tighten the screw (A). (See Fig.2-2-16a.)

2.2.17 Take-up lever, take-up head and control plate guide

- (1) Remove the spring of the take-up lever from the main deck.
- (2) Remove the lug (A) of the take-up lever from the main deck and pull out the take-up lever and the take-up head together.
- (3) Remove the screw (A).
- (4) Align the idler arm assembly pin in the center (centre) of the R section of the control plate guide, remove the control plate guide lugs (B) and (C) from the main deck, and remove the control plate guide.

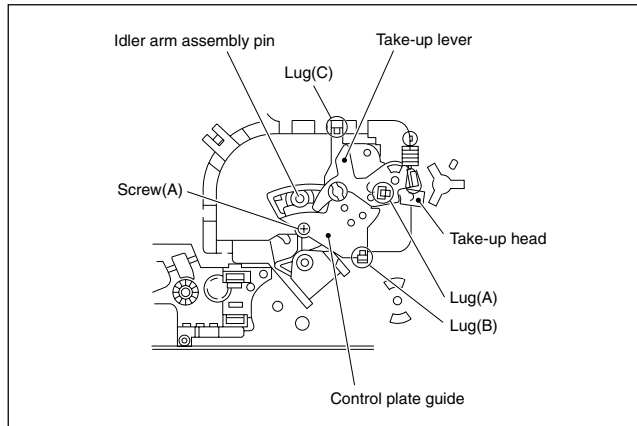


Fig. 2-2-17a

2.2.18 Capstan brake assembly

1. How to remove

- (1) Move the lug (A) of the capstan brake assembly in the arrow-indicated direction so that it comes into alignment with the notch of the main deck. (See Fig. 2-2-18a.)
- (2) Remove the lug (B) of the capstan brake assembly from the main deck and remove the capstan brake assembly.

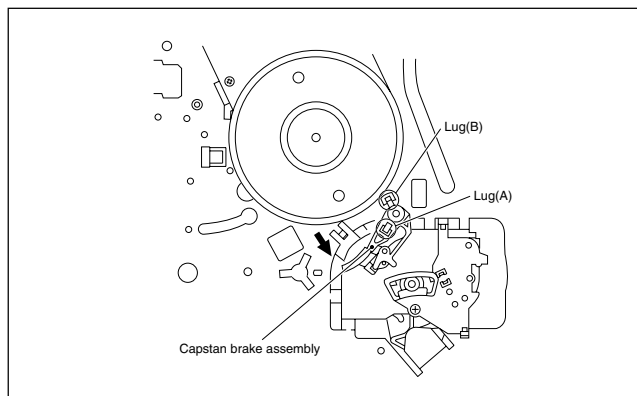


Fig. 2-2-18a

2.2.19 Sub brake assembly (take-up side)

1. How to remove

- (1) Remove the spring attached to the lid guide and sub brake assembly (take-up side).
- (2) Bring the lug (A) of the sub brake assembly (take-up side) into alignment with the notch of the main deck.
- (3) Remove the lugs (B) and (C) of the sub brake assembly (take-up side) from the main deck and remove the sub brake assembly (take-up side).

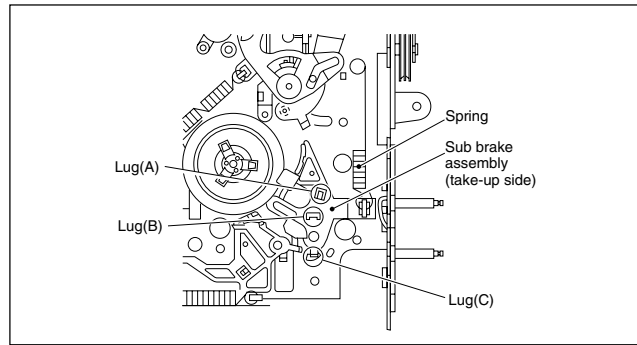


Fig. 2-2-19a

2.2.20 Main brake assembly (take-up side), reel disk (take-up side) and main brake assembly (supply side)

1. How to remove

- (1) Move the main brake assembly (take-up side) in the arrow-indicated direction and remove the reel disk (take-up side).
- (2) Remove the spring attached to the main brake assembly.
- (3) Remove the lug (A) of the main brake assembly (take-up side) and pull out the lug (B) after bringing it into alignment with the main deck notch.
- (4) Remove the lugs (C), (D) and (E) of the main brake assembly (supply side) from the main deck and pull them off. (See Fig.2-2-20a.)
- (5) When installing the main brake assembly (take-up side), slide the brake lever in the direction as indicated by the arrow to prevent it from hitting the projection of the main brake assembly (take-up side). (See Fig.2-2-20b.)

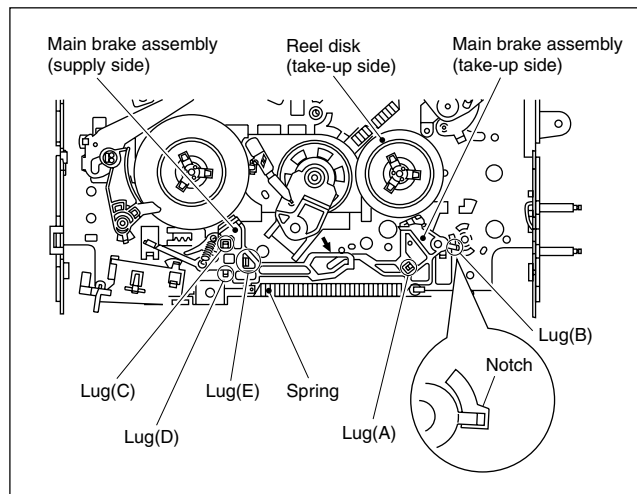
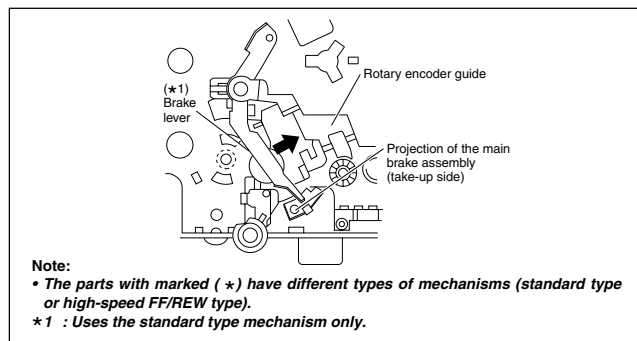


Fig. 2-2-20a



Note:
 • The parts with marked (*) have different types of mechanisms (standard type or high-speed FF/REW type).
 *1 : Uses the standard type mechanism only.

Fig. 2-2-20b

2.2.21 Tension brake assembly, reel disk (supply side) and tension arm assembly

1. How to remove

- (1) Remove the three lugs of the tension brake assembly from the main deck and pull them off.
- (2) Remove the reel disk (supply side) by loosening in the arrow-indicated direction the main brake assembly (supply side).
- (3) Remove the tension spring on the back of the main deck. Then release the lug of the tension arm bearing in the arrow-indicated direction and draw out the tension arm assembly. (See Fig. 2-2-21a.)

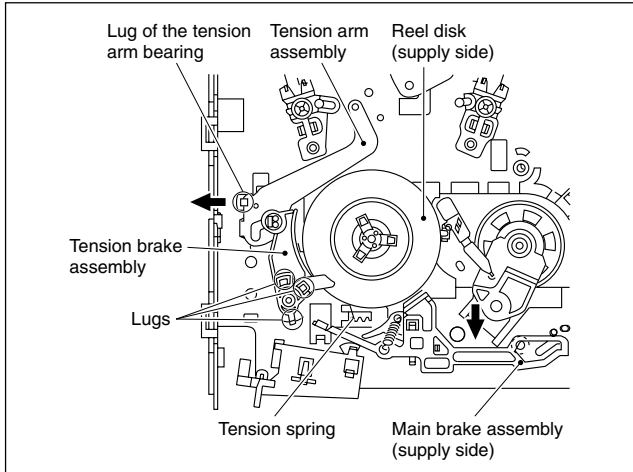


Fig. 2-2-21a

2.2.22 Idler lever, idler arm assembly

1. How to remove

- (1) Remove the lug of the idler lever from the main deck and remove the hook fitted in the idler arm assembly hole by lifting it.
- (2) Remove the slit washer and pull out the idler arm assembly.

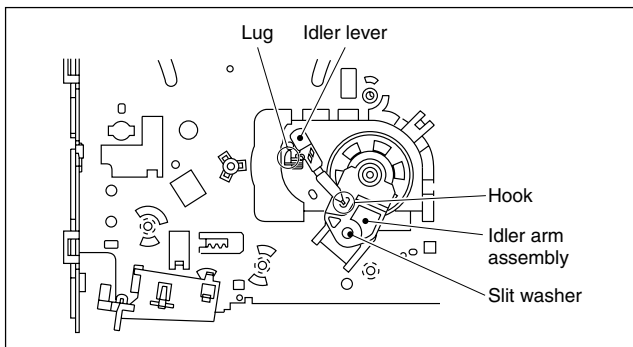


Fig. 2-2-22a

2.2.23 Stator assembly

- (1) Remove the flat cable.
- (2) Remove the two screws (A), (B) and remove the lug wire.
- (3) Remove the stator assembly by lifting in the arrow-indicated direction. (Take care that the brush spring does not jump out.)

Notes:

- **Be careful not to lose the brush and spring.**
- **There are some models that do not use the lug wire. Refer to the parts list for these models.**
- **When tightening the screw (B), place the caulked part of the lug terminal near to the shaft of the drum and then tighten it.**
- **After installation, be sure to perform the switching point adjustment according to the electrical adjustment procedure.**

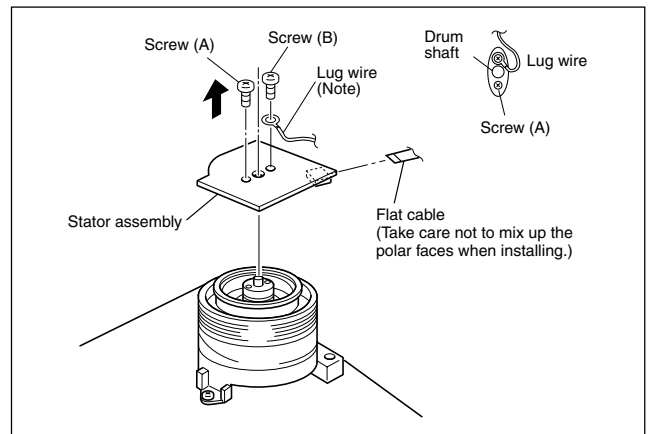


Fig. 2-2-23a

2.2.24 Rotor assembly

1. How to remove

- (1) Remove the stator assembly.
- (2) Remove the two screws (B) and remove the rotor assembly.

2. How to install

- (1) Match the phases of the upper drum assembly and the rotor assembly as indicated in Fig.2-2-24a.
- (2) Place the upper drum assembly hole (a) over the rotor assembly holes (b) (with three holes to be aligned) and tighten the two screws (B). (See Fig.2-2-24a.)

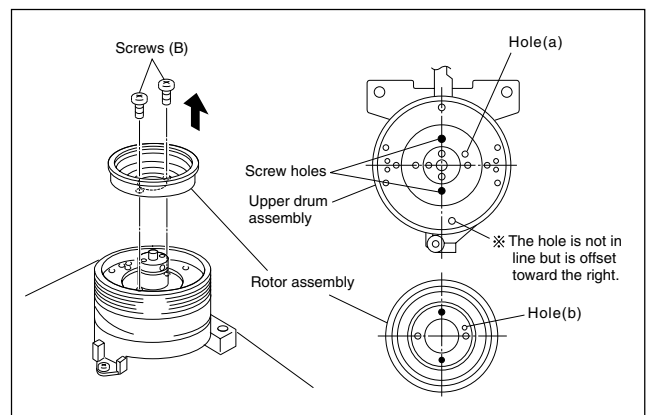


Fig. 2-2-24a

2.2.25 Upper drum assembly

Notes:

- *To replace the upper drum assembly only may not be possible with some models. For upper drum assembly replacement, refer to the parts list. (When the parts number of the upper drum assembly is not listed on the parts list, then this cannot be replaced.)*
- *When replacement is required, control the up-down movement of the brush. Never apply grease.*
- *When replacing the upper drum assembly, replace it together with the washer.*

1. How to remove

- (1) Remove the stator assembly and rotor assembly.
- (2) Loosen the screw of the collar assembly using a 1.5 mm hexagonal wrench and remove the collar assembly. Also remove the brush, spring and cap at one time.
- (3) Remove the upper drum assembly and remove the washer using tweezers.

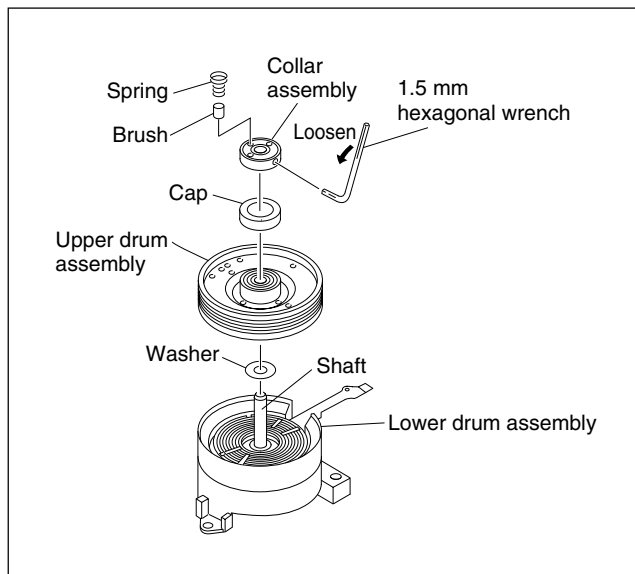


Fig. 2-2-25a

2. How to install

- (1) Clean the coil parts of the lower drum assembly and the newly installed upper drum assembly with an air brush in advance. (See Fig.2-2-25b.)
- (2) Install a new washer and upper drum assembly on the drum shaft. (See Fig.2-2-25a.)
- (3) Install the cap to the upper drum assembly.
- (4) Position the collar assembly as indicated in Fig.2-2-25c while controlling its up-down movement.
- (5) Secure the collar assembly in position with a hexagonal wrench while pressing its top with the fingers.
- (6) After installation, gently turn the upper drum assembly with your hand to make sure that it turns normally. Then install the brush and the spring.
- (7) Install the rotor assembly and stator assembly according to Fig 2-2-23a and 2-2-24a.
- (8) When installation is complete, clean the upper drum assembly and lower drum assembly and carry out the following adjustments.
 - PB switching point adjustment
 - Slow tracking adjustment
 - Compatibility adjustment (Be sure to check for compatibility for the EP (or LP) mode.)

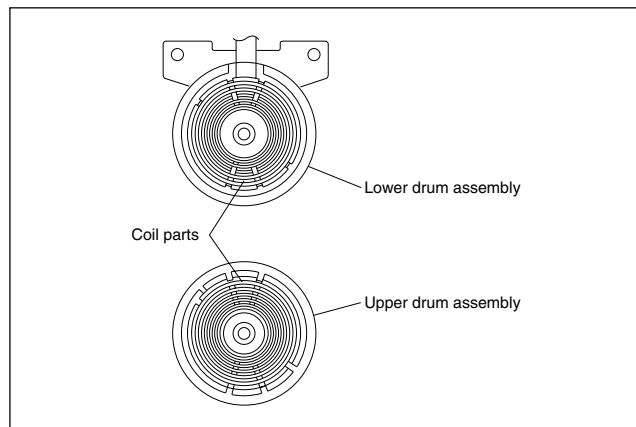


Fig. 2-2-25b

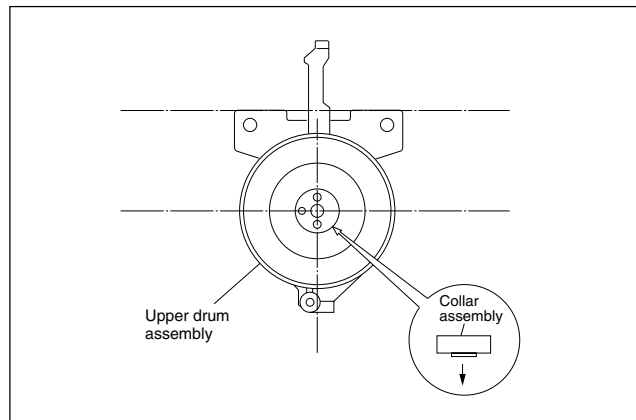


Fig. 2-2-25c

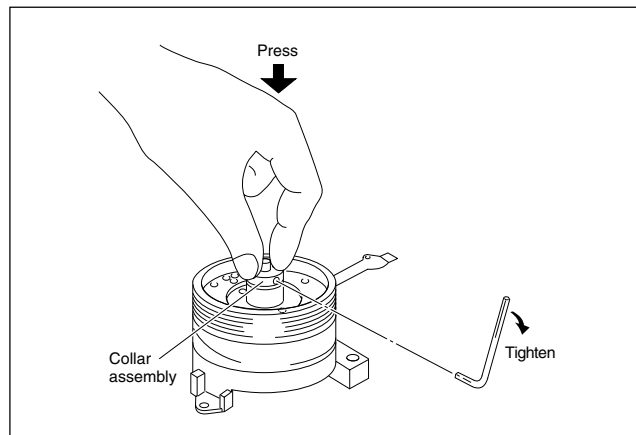


Fig. 2-2-25d

2.3 Compatibility adjustment

Notes:

- **Although compatibility adjustment is very important, it is not necessary to perform this as part of the normal servicing work. It will be required when you have replaced the A/C head, drum assembly or any part of the tape transport system.**
- **To avoid any damage to the alignment tape while performing the compatibility adjustment, get a separate cassette tape (for recording and play back) ready to be used for checking the initial tape running behavior.**
- **Unless otherwise specified, all measuring points and adjustment parts are located on the Main board.**
- **When using the Jig RCU, it is required to set the VCR to the Jig RCU mode (the mode in which codes from the Jig RCU can be received). (See SECTION 1 DISASSEMBLY.)**

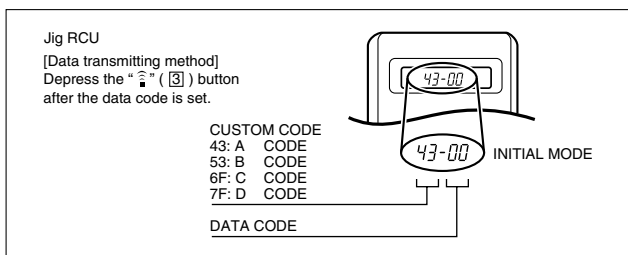


Fig. 2-3a Jig RCU [PTU94023B]

2.3.1 FM waveform linearity

| | | |
|------------------|--------------|--|
| Signal | (A1) (A2) | <ul style="list-style-type: none"> • Alignment tape(SP, stairstep, PAL) [MHPE] • Alignment tape(LP, stairstep, PAL) [MHPE-L] |
| Mode | (B) | <ul style="list-style-type: none"> • PB |
| Equipment | (C) | <ul style="list-style-type: none"> • Oscilloscope |
| Measuring point | (D) | <ul style="list-style-type: none"> • TP106 (PB, FM) |
| External trigger | (E) | <ul style="list-style-type: none"> • TP111 (D,FF) |
| Adjustment part | (F) | <ul style="list-style-type: none"> • Guide roller [Mechanism assembly] |
| Specified value | (G) | <ul style="list-style-type: none"> • Flat V.PB FM waveform |
| Adjustment tool | (H) | <ul style="list-style-type: none"> • Roller driver [PTU94002] |

- (1) Play back the alignment tape (A1).
- (2) Apply the external trigger signal to D.F.F (E), to observe the V.PB FM waveform at the measuring point (D).
- (3) Set the VCR to the manual tracking mode.
- (4) Make sure that there is no significant level drop of the V.PB FM waveform caused by the tracking operation, with its generally parallel and linear variation ensured. Perform the following adjustments when required. (See Fig. 2-3-1a.)
- (5) Reduce the V.PB FM waveform by the tracking operation. If a drop in level is found on the left side, turn the guide roller of the pole base assembly (supply side) with the roller driver to make the V.PB FM waveform linear. If a drop in level is on the right side, likewise turn the guide roller of the pole base assembly (take-up side) with the roller driver to make it linear. (See Fig. 2-3-1c.)
- (6) Make sure that the V.PB FM waveform varies in parallel and linearly with the tracking operation again. When required, perform fine-adjustment of the guide roller of the pole base assembly (supply or take-up side).

- (7) Unload the cassette tape once, play back the alignment tape (A1) again and confirm the V.PB FM waveform.
- (8) After adjustment, confirm that the tape wrinkling does not occur at the roller upper or lower limits. (See Fig. 2-3-1d.)

[Perform adjustment step (9) only for the models equipped with SP mode and EP (or LP) mode.]

- (9) Repeat steps (1) to (8) by using the alignment tape (A2).

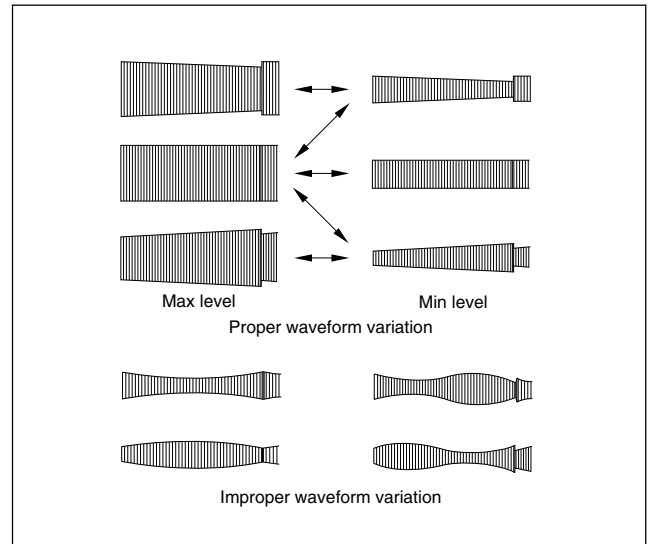


Fig. 2-3-1a

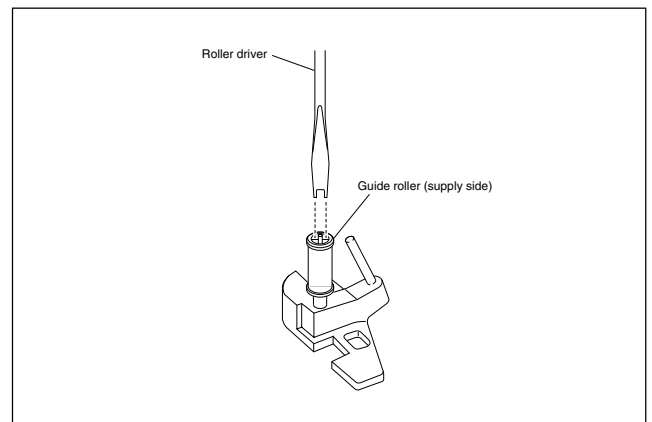


Fig. 2-3-1b

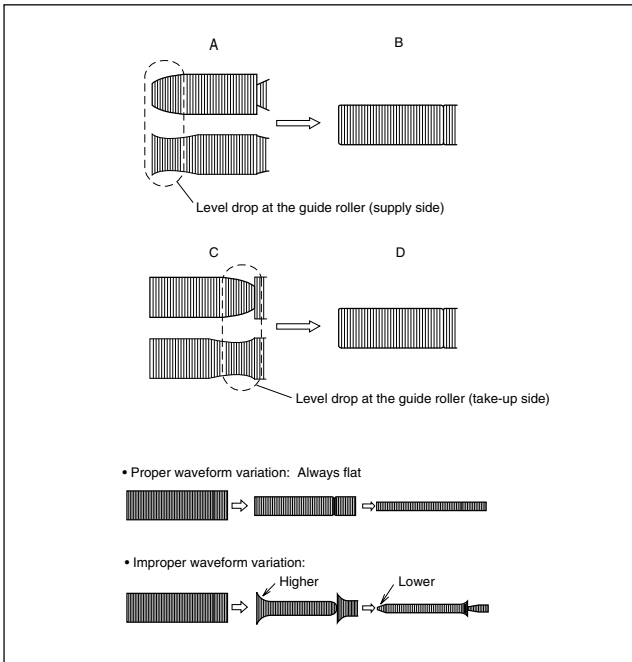


Fig. 2-3-1c

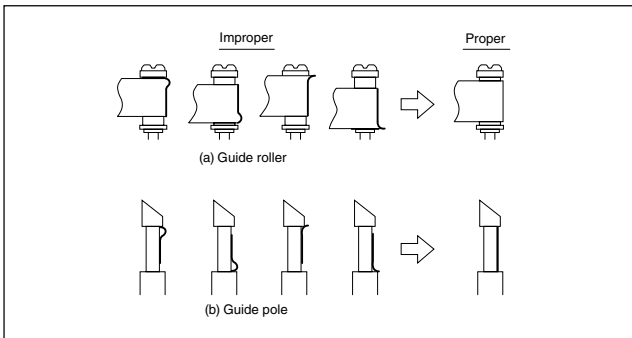


Fig. 2-3-1d

2.3.2 Height and tilt of the A/C head

Note:

• **Set a temporary level of the height of the A/C head in advance to make the adjustment easier after the A/C head has been replaced. (See Fig.2-2-6c.)**

| | | |
|------------------|--------------|---|
| Signal | (A) | • Alignment tape(SP, stairstep, PAL) [MHPE] |
| Mode | (B) | • PB |
| Equipment | (C) | • Oscilloscope |
| Measuring point | (D1) (D2) | • AUDIO OUT terminal • TP4001 (CTL. P) |
| External trigger | (E) | • TP111 (D.FF) |
| Adjustment part | (F) | • A/C head [Mechanism assembly] |
| Specified value | (G) | • Maximum waveform |

- (1) Play back the alignment tape (A).
- (2) Apply the external trigger signal to D.FF (E), to observe the AUDIO OUT waveform and Control pulse waveform at the measuring points (D1) and (D2) in the ALT mode.
- (3) Set the VCR to the manual tracking mode.

- (4) Adjust the AUDIO OUT waveform and Control pulse waveform by turning the screws (1), (2) and (3) little by little until both waveforms reach maximum. The screw (1) and (3) are for adjustment of tilt and the screw (2) for azimuth.

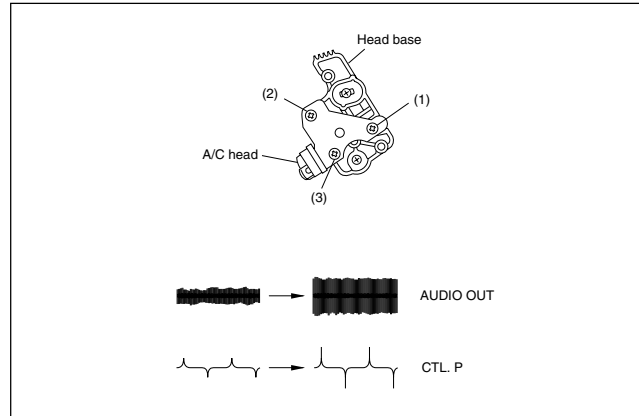


Fig. 2-3-2a

2.3.3 A/C head phase (X-value)

| | | |
|------------------|------|---|
| Signal | (A1) | • Alignment tape(SP, stairstep, PAL) [MHPE] |
| Mode | (B) | • PB |
| Equipment | (C) | • Oscilloscope |
| Measuring point | (D) | • TP106 (PB. FM) |
| External trigger | (E) | • TP111 (D.FF) |
| Adjustment part | (F) | • A/C head base [Mechanism assembly] |
| Specified value | (G) | • Maximum V.PB FM waveform |
| Adjustment tool | (H) | • A/C head positioning tool [PTU94010] |

- (1) Play back the alignment tape (A1).
- (2) Apply the external trigger signal to D.FF (E), to observe the V.PB FM waveform at the measuring point (D).
- (3) Set the VCR to the manual tracking mode.
- (4) Loosen the screws (4) and (5), then set the A/C head positioning tool to the innermost projected part of the A/C head. (See Fig. 2-3-3a.)
- (5) Turn the A/C head positioning tool fully toward the capstan. Then turn it back gradually toward the drum and stop on the second peak point position of the V.PB FM waveform output level. Then tighten the screws (4) and (5).
- (6) Perform the tracking operation and make sure that the V.PB FM waveform is at its maximum. If it is not at maximum, loosen the screws (4) and (5), and turn the A/C head positioning tool to bring the A/C head to a position, around where the waveform reaches its maximum for the first time. Then tighten the screws (4) and (5).

[Perform adjustment steps (7) to (10) only for 2 Head models equipped with LP mode.]

- (7) Then play back the alignment tape (A2).
- (8) Set the VCR to the manual tracking mode.
- (9) Perform the tracking operation and make sure that the V.PB FM waveform is at its maximum.
- (10) If it is not at maximum, loosen the screws (4) and (5), and turn the A/C head positioning tool to bring the A/C head to a position, around where the waveform reaches its maximum for the first time. Then tighten the screws (4) and (5).

Note:

• **After adjusting, always perform the confirmation and re-adjustment of the item 2.3.4.**

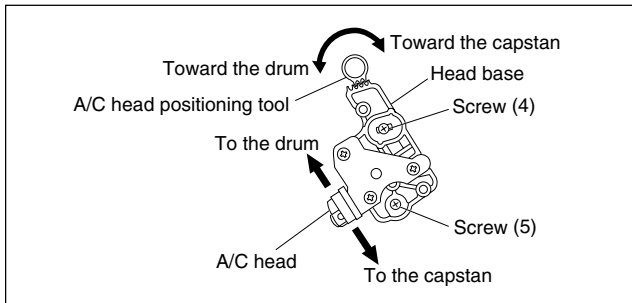


Fig. 2-3-3a

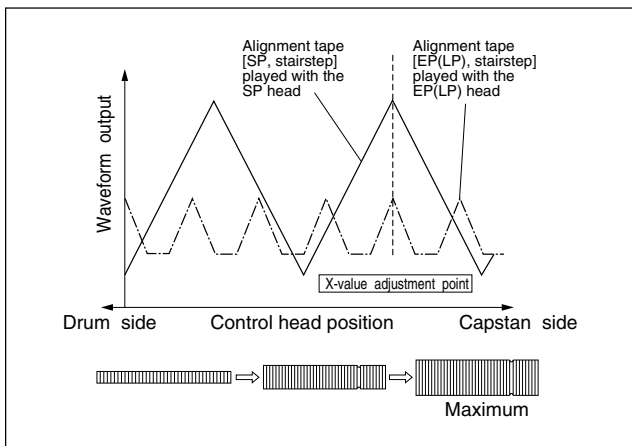


Fig. 2-3-3b

2.3.4 Standard tracking preset

| | | |
|------------------|-----|---|
| Signal | (A) | • Alignment tape(LP, stairstep, PAL) [MHPE-L] |
| Mode | (B) | • PB → Auto adjust |
| Equipment | (C) | • Oscilloscope |
| Measuring point | (D) | • TP106 (PB. FM) |
| External trigger | (E) | • TP111 (D.FF) |
| Adjustment part | (F) | • Jig RCU: Code "50" |
| Specified value | (G) | • STOP mode (Maximum V.PB FM waveform) |
| Adjustment tool | (H) | • Jig RCU [PTU94023B] |

- (1) Play back the alignment tape (A).
- (2) Apply the external trigger signal to D.FF (E), to observe the V.PB FM waveform at the measuring point (D).
- (3) Confirm that the automatic tracking operation is completed.

- (4) Set the VCR to the Auto adjust mode by transmitting the code (F) twice from the Jig RCU. When the VCR enters the stop mode, the adjustment is completed.
- (5) If the VCR enters the eject mode, perform adjustment for the audio control head phase (X-value) again.

2.3.5 Tension pole position

| | | |
|-----------------|-----|--|
| Signal | (A) | • Back tension cassette gauge [PUJ48076-2] |
| Mode | (B) | • PB |
| Adjustment part | (F) | • Adjust pin [Mechansim assembly] |
| Specified value | (G) | • 25 - 51 gf•cm (2.45 - 5 × 10 ⁻³ Nm) |

- (1) Play back the back tension cassette gauge (A).
- (2) Check that the indicated value on the left side gauge is within the specified value (G).
- (3) If the indicated value is not within the specified value (G), perform the adjustment in a following procedure.
 - 1) Set the VCR to the mechanism service mode. (See SECTION 1 DISASSEMBLY.)
 - 2) Set the VCR to the play back mode and adjust by turning adjustment pin to align the tension arm assembly edge with the main deck hole (A) on the right edge marker. (See Fig. 2-3-5a)

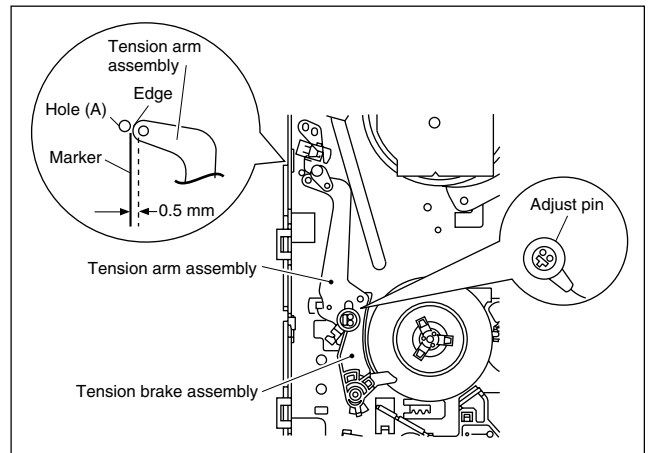
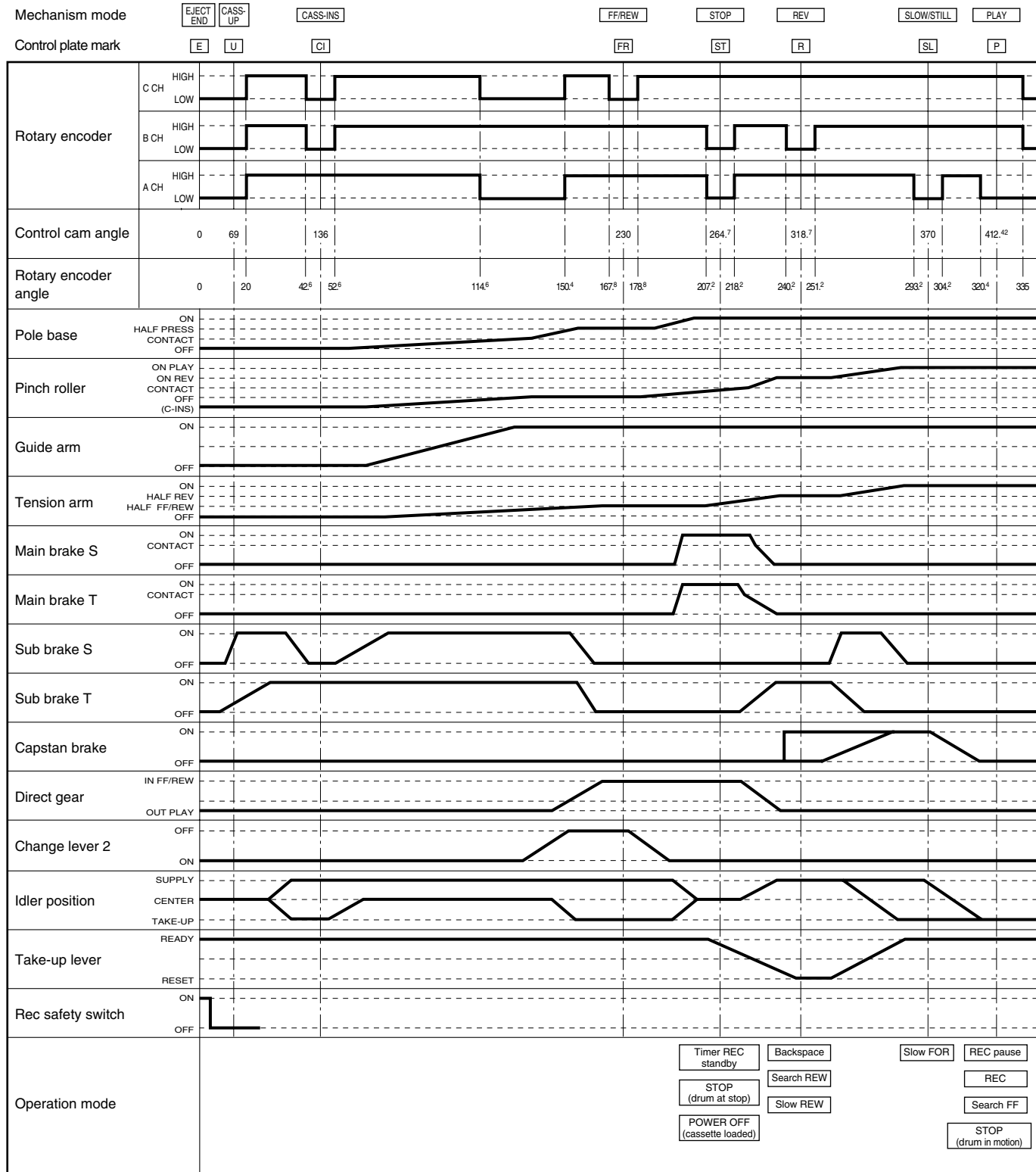


Fig. 2-3-5a

Mechanism Timing Chart



SECTION 3 ELECTRICAL ADJUSTMENT

3.1 PRECAUTION

The following adjustment procedures are not only necessary after replacement of consumable mechanical parts or board assemblies, but are also provided as references to be referred to when servicing the electrical circuitry.

In case of trouble with the electrical circuitry, always begin a service by identifying the defective points by using the measuring instruments as described in the following electrical adjustment procedures. After this, proceed to the repair, replacement and/or adjustment. If the required measuring instruments are not available in the field, do not change the adjustment parts (variable resistor, etc.) carelessly.

3.1.1 Required test equipments

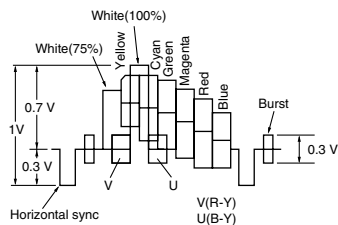
- Color (colour) television or monitor
- Oscilloscope: wide-band, dual-trace, triggered delayed sweep
- Frequency counter
- Signal generator: RF / IF sweep / marker
- Signal generator: stairstep, color (colour) bar [PAL]
- Recording tape
- Digit-key remote controller(provided)

3.1.2 Required adjustment tools

| | | |
|---|--|---|
| Jig RCU PTU94023B | Alignment tape (SP, stairstep, PAL) MHPE | Alignment tape (LP, stairstep, PAL) MHPE-L |
| | | |
| Alignment tape (SP stairstep, NTSC) MHP | LPF PTU93006 | Alignment tape (S-VHS, SP/LP, color (colour) bar) MH-2H |
| | | |

3.1.3 Color (colour) bar signal,Color (colour) bar pattern

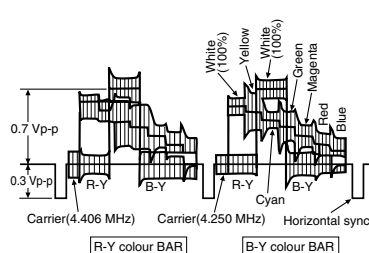
• Colour bar signal [PAL]



• Colour bar pattern [PAL]

| | | | | | | | |
|-------|-------|------------|-------|-------|---------|-----|------|
| (75%) | White | Yellow | Cyan | Green | Magenta | Red | Blue |
| V | U | White 100% | Black | | | | |

• Colour bar signal [SECAM]



• Colour bar pattern [SECAM]

| | | | | | | |
|-------|------------|------|-------|---------|-----|------|
| White | Yellow | Cyan | Green | Magenta | Red | Blue |
| R-Y | White 100% | B-Y | Black | | | |

3.1.4 Switch settings and standard precautions

The SW settings of the VCR and the standard precautions for the electrical adjustments are as follows.

- **When using the Jig RCU, set its custom code to match the custom code of the VCR.**

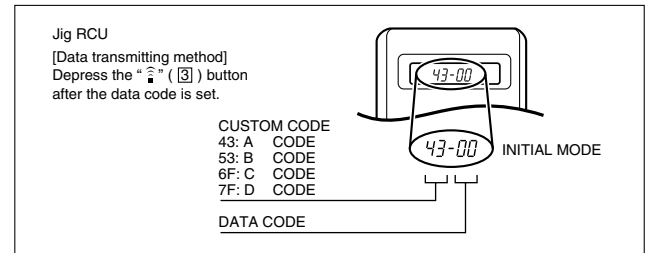


Fig. 3-1-4a Jig RCU [PTU94023B]

- **Set the switches as shown below unless otherwise specified on the relevant adjustment chart. The switches that are not listed below can be set as desired.**

If the VCR is not equipped with the functions detailed below, setup is not required.

| | |
|--|----------------|
| AUTO PICTURE/VIDEO CALIBRATION/ B.E.S.T./D.S.P.C. | OFF |
| PICTURE CONTROL/SMART PICTURE | NORMAL/NATURAL |
| VIDEO STABILIZER | OFF |
| TBC | ON |
| Digital 3R | ON |
| VIDEO NAVIGATION/TAPE MANAGER | OFF |

- **Unless otherwise specified, all measuring points and adjustment parts are located on the Main board.**

- **In the Signal column of the adjustment chart, "Ext. S-input" means the Y/C separated video signal and "Ext. input" means the composite video signal input.**

3.1.5 EVR Adjustment

Some of the electrical adjustments require the adjustment performed by the EVR system. The Main board assembly have EEPROMs for storing the EVR adjustment data and user setups.

Notes:

- **In the EVR adjustment mode, the value is varied with the channel buttons (+, -). The adjusted data is stored when the setting mode changes (from PB to STOP, when the tape speed is changed, etc.). Take care to identify the current mode of each adjustment item when making an adjustment.**

- **When changing the address setting in the EVR adjustment mode, use the Jig RCU or the remote controller having numeric keypad with which a numeric code can be directly input.**

The remote control code of the Jig RCU corresponds to each of the digit keys on the remote controller as follows.

| | | | | | | | | | | |
|-----------|----|----|----|----|----|----|----|----|----|----|
| Digit-key | 0 | 1 | 2 | 3 | 4 | 5 | 6 | 7 | 8 | 9 |
| Code | 20 | 21 | 22 | 23 | 24 | 25 | 26 | 27 | 28 | 29 |

- **As the counter indication and remaining tape indication are not displayed FDP during the EVR adjustment mode, check them on the TV monitor screen.**

- **When performing the EVR adjustment, confirm that the FDP indication is changed to the EVR mode, as shown below.**

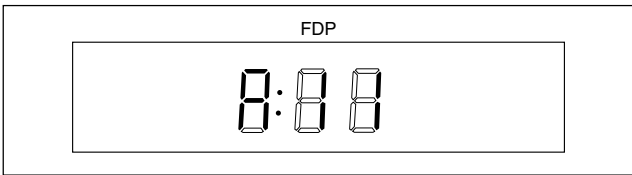


Fig. 3-1-5a EVR mode

3.2 SERVO CIRCUIT

3.2.1 Switching point

| | | |
|------------------|----------------------|--|
| Signal | (A1) (A2) (A3) | <ul style="list-style-type: none"> • Stairstep signal • Alignment tape(SP, stairstep, PAL) [MHPE] • Alignment tape(SP, stairstep, NTSC) [MHP] |
| Mode | (B) | <ul style="list-style-type: none"> • PB • TBC: OFF |
| Equipment | (C) | <ul style="list-style-type: none"> • Oscilloscope |
| Measuring point | (D1) (D2) | <ul style="list-style-type: none"> • VIDEO OUT terminal (75Ω terminated) • TP106 (PB FM) |
| External trigger | (E) | <ul style="list-style-type: none"> • TP111 (D.FF)/slope : - |
| Adjustment part | (F) | <ul style="list-style-type: none"> • Jig RCU: Code "51" or "52" |
| Specified value | (G) | <ul style="list-style-type: none"> • 8.0 ± 0.5H [MHPE] • 7.5 ± 0.5H [MHP] |
| Adjustment tool | (H) | <ul style="list-style-type: none"> • Jig RCU [PTU94023B] |

- (1) Play back the signal (A1) of the alignment tape (A2).
- (2) Apply the external trigger signal to D.FF (E) to observe the VIDEO OUT waveform and V.PB FM waveform at the measuring points (D1) and (D2).
- (3) Press the channel buttons (+, -) simultaneously to enter the manual tracking mode. This also brings tracking to the center (centre).
- (4) Adjust tracking by pressing the channel buttons (+, -) so that the V.PB FM waveform becomes maximum.
- (5) Transmit the code (F) from the Jig RCU to adjust so that the trigger point of the VIDEO OUT waveform is changed from the trailing edge of the V.sync signal becomes the specified value (G).
- (6) Set the VCR to the stop mode or eject mode.
- (7) Play back the signal (A1) of the alignment tape (A3).
- (8) Repeat steps (2) to (6).

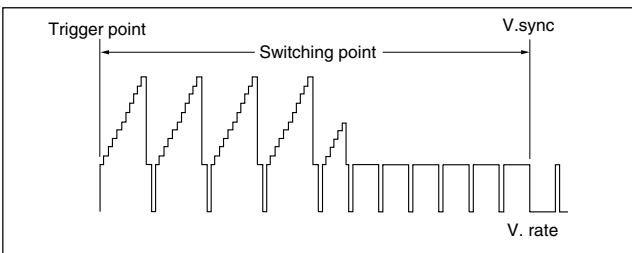


Fig. 3-2-1a Switching point

3.2.2 Slow tracking preset

| | | |
|-----------------|--------------|---|
| Signal | (A1) (A2) | <ul style="list-style-type: none"> • Ext. input • Color (colour) bar signal [PAL] |
| Mode | (B1) (B2) | <ul style="list-style-type: none"> • S-VHS SP • S-VHS LP |
| Measuring point | (D) | <ul style="list-style-type: none"> • TV-Monitor |
| Adjustment part | (F) | <ul style="list-style-type: none"> • Jig RCU: Code "71" or "72" |
| Specified value | (G) | <ul style="list-style-type: none"> • Minimum noise |
| Adjustment tool | (H) | <ul style="list-style-type: none"> • Jig RCU [PTU94023B] |

- (1) Record the signal (A2) in the mode (B1), and play back the recorded signal.
- (2) Press the channel buttons (+, -) simultaneously to enter the manual tracking mode. This also brings tracking to the center (centre).
- (3) Set the VCR to the FWD slow (+1/6×) mode.
- (4) Transmit the code (F) from the Jig RCU to adjust so that the noise bar becomes the specified value (G) on the TV monitor in the slow mode.
- (5) Set the VCR to the Stop mode.
- (6) Confirm that the noise bar is (G) on the TV monitor in the slow mode.
- (7) Repeat steps (3) to (6) in the REV slow (-1/6×) mode.
- (8) Repeat steps (1) to (7) in the mode (B2).

Note:

- **For FWD slow (+1/6×) playback, transmit the code "08" from the Jig RCU to enter the slow playback mode, and transmit the code "D0" for REV slow (-1/6×) mode.**

3.3 VIDEO CIRCUIT

3.3.1 D/A level

| | | |
|------------------------|----------------------|--|
| Signal | (A1) (A2) (A3) | <ul style="list-style-type: none"> • Ext. S-input / Ext. input • Color (colour) bar signal [PAL] • S-VHS tape |
| Mode | (B) | <ul style="list-style-type: none"> • S-VHS • EE |
| Equipment | (C) | <ul style="list-style-type: none"> • Oscilloscope |
| Measuring point | (D) | <ul style="list-style-type: none"> • Y OUT terminal (75Ω terminated) |
| Adjustment part | (F) | <ul style="list-style-type: none"> • VR1401 (D/A LEVEL ADJ) [3D DIGITAL/2M board] |
| Specified value (Note) | (G) | <ul style="list-style-type: none"> • 1.00 ± 0.015 Vp-p (reference value) |

- (1) Insert the cassette tape (A3) to enter the mode (B).
- (2) Observe the Y OUT waveform at the measuring point (D).
- (3) Check the Y level value when the External S-input (Y/C separated video signal).
- (4) Switch the input signal to the External input (composite video signal), and adjust the adjustment part (F) so that the Y level becomes the same value observed in step (3).

Note:

- **The specified value (G) is just a reference value to be obtained when the External S-Video (Y/C separated video) signal is input. In actual adjustment, set it to the value observed in step (3).**

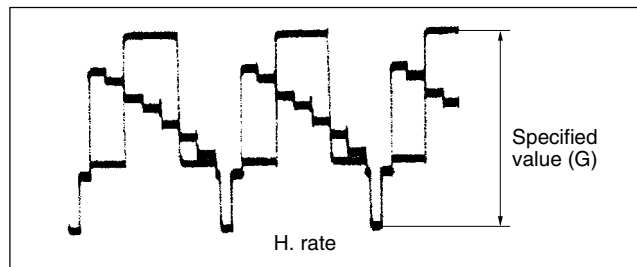


Fig. 3-3-1a D/A level

3.3.2 EE Y level

| | | |
|-----------------|--------------|--|
| Signal | (A1) (A2) | • Ext. input • Color (colour) bar signal [PAL] |
| Mode | (B) | • EE |
| Equipment | (C) | • Oscilloscope |
| Measuring point | (D) | • Y OUT terminal (75Ω terminated) |
| EVR mode | (F1) | • Jig RCU: Code "57" |
| EVR address | (F2) | • A:11 (Press remote controller "1" key twice) |
| Specified value | (G) | • 1.00 ± 0.03 Vp-p |
| Adjustment tool | (H) | • Jig RCU [PTU94023B] • Digit-key remote controller |

- Observe the Y OUT waveform at the measuring point (D).
- Set the VCR to the EVR mode by transmitting the code (F1) from the Jig RCU.
- Set the EVR address to (F2) by pressing the button of the digit-key remote controller.
- Adjust with the channel buttons (+, -) on the VCR (or on the remote controller) so that the Y level of the Y OUT waveform becomes the specified value (G).
- Release the EVR mode of the VCR by transmitting the code (F1) from the Jig RCU again. (When the EVR mode is released, the adjusted data is memorized.)

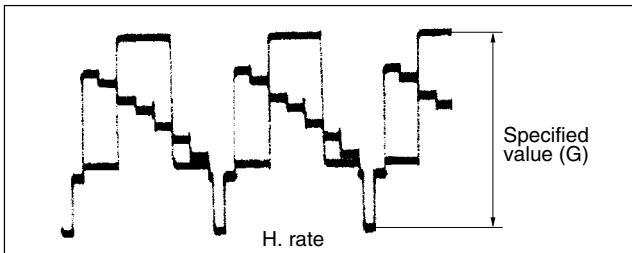


Fig. 3-3-2a EE Y level

3.3.3 PB Y level (S-VHS / VHS)

| | | |
|-----------------|--------------|--|
| Signal | (A1) (A2) | • Ext. input • Color (colour) bar signal [PAL] |
| Mode | (B1) (B2) | • S-VHS SP • VHS SP |
| Equipment | (C) | • Oscilloscope |
| Measuring point | (D) | • Y OUT terminal (75Ω terminated) |
| EVR mode | (F1) | • Jig RCU: Code "57" |
| EVR address | (F2) | • A:11 (Press remote controller "1" key twice) |
| Specified value | (G) | • 1.00 ± 0.03 Vp-p |
| Adjustment tool | (H) | • Jig RCU [PTU94023B] • Digit-key remote controller |

- Observe the Y OUT waveform at the measuring point (D).
- Record the signal (A2) in the mode (B1), and play back the recorded signal.
- Press the channel buttons (+, -) simultaneously to enter the manual tracking mode. This also brings tracking to the center (centre).
- Set the VCR to the EVR mode by transmitting the code (F1) from the Jig RCU.
- Set the EVR address to (F2) by pressing the button of the digit-key remote controller.
- Adjust with the channel buttons (+, -) on the VCR (or on the remote controller) so that the Y level of the Y OUT waveform becomes the specified value (G).

- Release the EVR mode of the VCR by transmitting the code (F1) from the Jig RCU again. (When the EVR mode is released, the adjusted data is memorized.)
- Repeat steps (2) to (7) in the mode (B2).

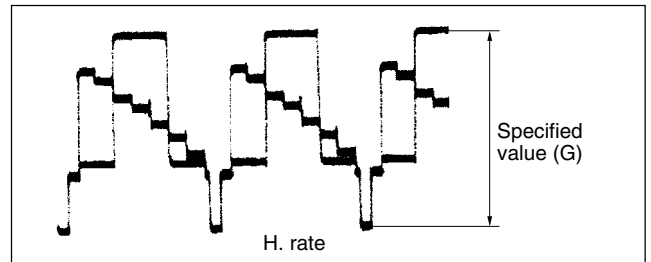


Fig. 3-3-3a PB Y level

3.3.4 REC color (colour) level

| | | |
|------------------|----------------------|--|
| Signal | (A1) (A2) (A3) | • Alignment tape(S-VHS, SP/LP, Color(colour) bar) [MH-2H] • Ext. input • Color (colour) bar signal [PAL] |
| Mode | (B1) (B2) | • S-VHS SP • S-VHS LP |
| Equipment | (C) | • Oscilloscope |
| Measuring point | (D1) (D2) | • TP106 (PB FM) • PB color (colour) output of the LPF |
| External trigger | (E) | • TP111 (D.FF) |
| EVR mode | (F1) | • Jig RCU: Code "57" |
| EVR address | (F2) | • A:02 (Press remote controller "0" and "2" keys) |
| Specified value | (G) | • SP: "B" x 125 ± 5% • LP: "B" x 125 ± 5% |
| Adjustment tool | (H1) (H2) (H3) | • Jig RCU [PTU94023B] • Digit-key remote controller • LPF [PTU93006] (See Fig. 3-3-4a.) |

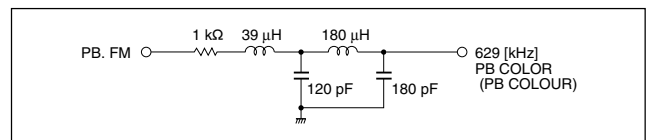


Fig. 3-3-4a LPF

- Connect the adjustment tool (H3) to the measuring point (D1).
- Apply the external trigger signal to D.FF (E) to observe the PB color (colour) waveform at the measuring point (D2).
- Play back the signal (A3) in the mode (B1) of the alignment tape (A1).
- Press the channel buttons (+, -) simultaneously to enter the manual tracking mode. This also brings tracking to the center (centre).
- Adjust tracking by pressing the channel buttons (+, -) so that the PB color (colour) waveform becomes maximum. Make a note of the higher PB color (colour) level as "B" at this time.
- Record the signal (A3) in the mode (B1), and play back the recorded signal.
- Set the VCR to the EVR mode by transmitting the code (F1) from the Jig RCU.
- Set the EVR address to (F2) by pressing the button of the digit-key remote controller.

- (9) Adjust with the channel buttons (+, -) on the VCR (or on the remote controller) so that the higher level channel becomes the specified value (G) of the note "B" level as shown in Fig. 3-3-4b. (Adjust before recording, then confirm it by playing back.)
- (10) After adjustment, record the signal (A3) then playing it back again. At this time, confirm that there is no inverting phenomenon or noise appearing on the playback screen.
- (11) Release the EVR mode of the VCR by transmitting the code (F1) from the Jig RCU again. (When the EVR mode is released, the adjusted data is memorized.)
- (12) Repeat steps (3) to (11) in the mode (B2).

Note:

- After adjusting, always perform the confirmation and re-adjustment of the item 3.4.1.

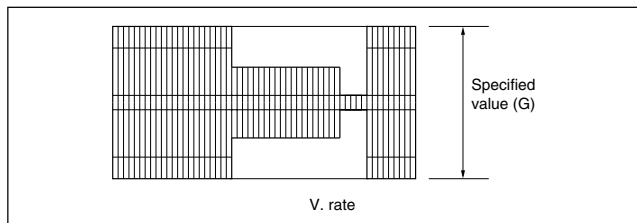


Fig. 3-3-4b REC color (colour) level

3.3.5 Video EQ (Frequency response)

| | | |
|---|----------------------|---|
| Signal | (A1) (A2) | <ul style="list-style-type: none"> • Ext. S-input • Video sweep signal |
| Mode | (B1) (B2) (B3) | <ul style="list-style-type: none"> • S-VHS SP • S-VHS LP • Picture Control / Smart Picture REC : Normal / Natural PB : Edit / Distinct |
| Equipment | (C) | <ul style="list-style-type: none"> • Oscilloscope |
| Measuring point Frequency marker(D2) | (D1) (D2) | <ul style="list-style-type: none"> • Y OUT terminal (75Ω terminated) • 3 [MHz] |
| External trigger | (E) | <ul style="list-style-type: none"> • TP111 (D.FF) |
| EVR mode EVR address | (F1) (F2) | <ul style="list-style-type: none"> • Jig RCU: Code "57" • A:03 (Press remote controller "0" and "3" keys) |
| Specified value | (G) | <ul style="list-style-type: none"> • SP: 3.6 ± 0.4 div. (-1 ± 1 dB) • LP: 3.2 ± 0.4 div. (-2 ± 1 dB) |
| Adjustment tool | (H) | <ul style="list-style-type: none"> • Jig RCU [PTU94023B] • Digit-key remote controller |

- (1) Apply the external trigger signal to D.FF (E) to observe the Y OUT waveform at the measuring point (D1).
- (2) Record the signal (A2) in the mode (B1), and play back the recorded signal.
- (3) Press the channel buttons (+, -) simultaneously to enter the manual tracking mode. This also brings tracking to the center (centre).
- (4) Set the VCR to the EVR mode by transmitting the code (F1) from the Jig RCU.
- (5) Set the EVR address to (F2) by pressing the button of the digit-key remote controller.
- (6) Set the slope of the oscilloscope to the channel having higher (D2) marker level of the Y OUT waveform [signal (A2)]. Then set the 100 kHz marker level to the "4" scale on the oscilloscope. In this condition, adjust with the channel buttons (+, -) on the VCR (or on the remote controller) so that the (D2) marker level reaches the specified value (G).

- (7) Release the EVR mode of the VCR by transmitting the code (F1) from the Jig RCU again. (When the EVR mode is released, the adjusted data is memorized.)
- (8) Repeat steps (2) to (7) in the mode (B2).

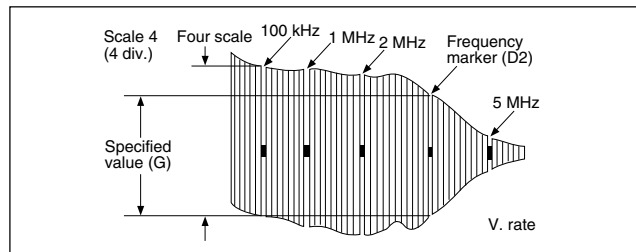


Fig. 3-3-5a Video EQ (Frequency Response)

3.3.6 AUTO PICTURE initial setting

| | | |
|-----------------|----------------------|---|
| Signal | (A1) (A2) (A3) | <ul style="list-style-type: none"> • Ext. input • Video: Optional • VHS tape |
| Mode | (B) | <ul style="list-style-type: none"> • EE → Auto adjust (SP/LP REC → PB) |
| Adjustment part | (F) | <ul style="list-style-type: none"> • Jig RCU : Code "58" |
| Specified value | (G) | <ul style="list-style-type: none"> • STOP mode |
| Adjustment tool | (H) | <ul style="list-style-type: none"> • Jig RCU [PTU94023B] |

- (1) Insert the cassette tape (A3).
- (2) Set the VCR to the Auto adjust mode by transmitting the code (F) from the Jig RCU. When the VCR enters the stop mode, the adjustment is completed. When the VCR enters the eject mode, repeat steps (1) to (2) again.

3.4 DIGITAL CIRCUIT

Note:

- When performing this adjustment, set the VCR to the HDD mode.

3.4.1 HDD EE Y level

| | | |
|-----------------|--------------|--|
| Signal | (A1) (A2) | <ul style="list-style-type: none"> • Ext. input • Color(colour) bar signal [PAL] |
| Mode | (B) | <ul style="list-style-type: none"> • EE |
| Equipment | (C) | <ul style="list-style-type: none"> • Oscilloscope |
| Measuring point | (D) | <ul style="list-style-type: none"> • VIDEO OUT terminal (75 Ω terminated) |
| Adjustment part | (F) | <ul style="list-style-type: none"> • VR701(DV AGC) |
| Specified value | (G) | <ul style="list-style-type: none"> • 1.00 ± 0.02 Vp-p |

- (1) Observe the VIDEO OUT waveform at the measuring point (D).
- (2) Adjust the adjustment part (F) so that the Y level of the VIDEO OUT waveform becomes the specified value (G).

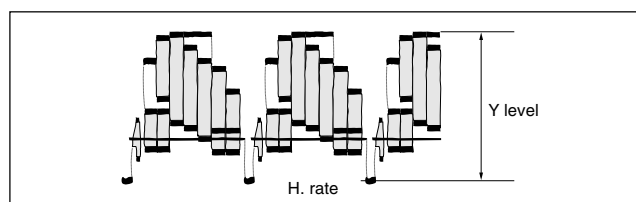


Fig. 3-4-1a HDD EE Y level

3.4.2 HDD PB Y level

| | | |
|-----------------|--------------|---|
| Signal | (A1) (A2) | • Ext. input • Color(colour) bar signal[PAL] |
| Mode | (B) | • SP |
| Equipment | (C) | • Oscilloscope |
| Measuring point | (D) | • TL8602 or CN8601 pin 1 [Digital board] |
| Adjustment part | (F) | • VR8604 [Digital board] |
| Specified value | (G) | • 1.02 ± 0.05 Vp-p |

- Record the signal (A2) in the mode (B), and play back the recorded signal.
- Observe the waveform at the measuring point (D).
- Adjust the adjustment part (F) so that the Y level becomes the specified value (G).

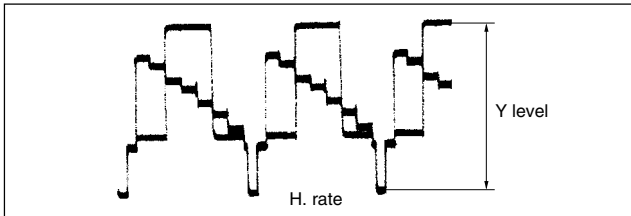


Fig.3-4-2a HDD PB Y level

3.4.3 HDD PB C burst level

| | | |
|-----------------|--------------|--|
| Signal | (A1) (A2) | • Ext. input • Color(colour) bar signal [PAL] |
| Mode | (B) | • SP |
| Equipment | (C) | • Oscilloscope |
| Measuring point | (D) | • TL8601 or CN8601 pin 3 [Digital board] |
| Adjustment part | (F) | • VR8603 [Digital board] |
| Specified value | (G) | • 300 ± 30 mVp-p |

- Record the signal (A2) in the mode (B), and play back the recorded signal.
- Observe the waveform at the measuring point (D).
- Adjust the adjustment part (F) so that the burst level becomes the specified value (G).

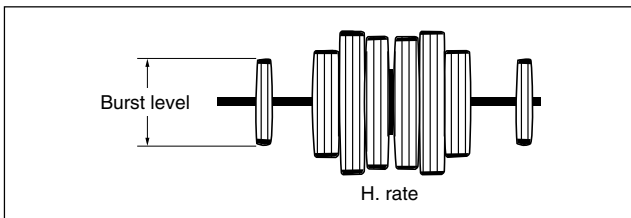


Fig.3-4-3a HDD PB C burst level

3.5 AUDIO CIRCUIT

Notes:

- This adjustment should be done after the "REC color (colour) level adjustment" for the video circuit has been completed.
- GND (Ground) should be taken from the Tuner shield case.

3.5.1 Audio REC FM

| | | |
|------------------|----------------------|--|
| Signal | (A1) (A2) (A3) | • Ext. input • Audio: No signal • Video: Color (colour) bar signal [PAL] |
| Mode | (B) | • S-VHS EP |
| Equipment | (C) | • Oscilloscope |
| Measuring point | (D) | • TP2253 (A. FM) |
| External trigger | (E) | • TP111 (D.FF) |
| EVR mode | (F1) | • Jig RCU: Code "57" |
| EVR address | (F2) | • A: 30 (Press remote controller "3" and "0" keys.) |
| Specified value | (G1) (G2) | • 400 ± 100 mVp-p • More than 250 mVp-p |
| Adjustment tool | (H) | • Jig RCU [PTU94023B] • Digit-key remote controller |

- Apply the external trigger signal to D.FF (E) to observe the Audio PB FM waveform at the measuring point (D).
- Record the signal (A3) with no audio signal input in the mode (B), and play back the recorded signal.
- Press the channel buttons (+, -) simultaneously to enter the manual tracking mode. This also brings tracking to the center (centre).
- If the A.PB FM level is not within the specified value (G1), perform the adjustment in a following procedure.
- Set the VCR to the EVR mode by transmitting the code (F1) from the Jig RCU.
- Set the EVR address to (F2) by pressing the button of the digit-key remote controller.
- Adjust with the channel buttons (+, -) on the VCR (or on the remote controller) so that the A.PB FM level of the higher channel level becomes the specified value (G1). (Adjust before recording, then confirm it by playing back.)
- If the specified value (G1) is not obtained, adjust with the channel buttons (+, -) so that the waveform level of the lower channel level becomes the specified value (G2). (Adjust before recording, then confirm it by playing back.)
- Release the EVR mode of the VCR by transmitting the code (F1) from the Jig RCU again. (When the EVR mode is released, the adjusted data is memorized.)

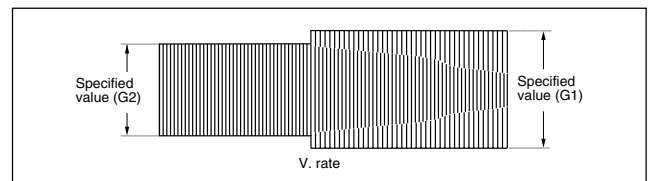


Fig. 3-5-1a Audio REC FM

3.6 SECAM/PAL CONVERTER CIRCUIT

Note:

- Unless otherwise specified, all measurement points and adjustment parts are located on the S/P CONV. BOARD.

3.6.1 FH SYNC position

| | |
|-------------------|---------------------------------------|
| Signal | • SECAM colour bar |
| Mode | • EE |
| Equipment | • Oscilloscope |
| Measurement point | • CN1 pin 14 • TP1 round (FH SYNC) |
| Adjustment part | • VR1 (FH SYNC ADJ.) |
| Specification | • $T = 5.3 \pm 0.1 \mu\text{sec}$ |

- (1) Connect channel 1 of the oscilloscope at CN1 pin 14.
- (2) Connect channel 2 of the oscilloscope at TP1 round (FH SYNC).
- (3) Observe two waveforms, then adjust VR1 so that the waveforms timing width becomes $5.3 \pm 0.1 \mu\text{sec}$ as shown in Fig. 3-6-1.

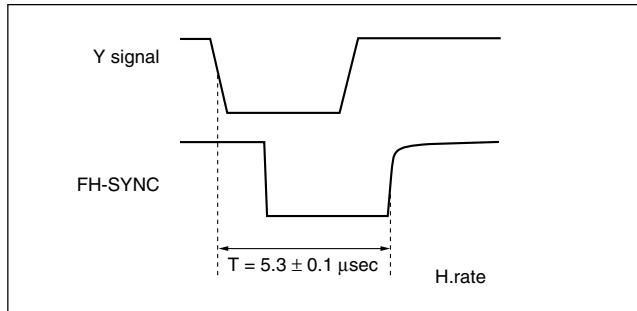


Fig. 3-6-1 FH SYNC position

3.6.2 FH VCO

| | |
|-------------------|--|
| Signal | • SECAM colour bar |
| Mode | • EE |
| Equipment | • Oscilloscope |
| Measurement point | • TP1 round (FH SYNC) |
| Adjustment part | • VR2 (FH FREE RUN ADJ.) |
| Specification | • $T = 64 \pm 0.8 \mu\text{sec}$ ($15,625 \pm 200 \text{ Hz}$) |

- (1) Connect an oscilloscope to TP1 round (FH SYNC).
- (2) Connect the short wire between TP2 round (AFC LPF) and TP3 (AFC REF).
- (3) Adjust VR2 so that the FH SYNC frequency becomes $64 \pm 0.8 \mu\text{sec}$ ($15,625 \pm 200 \text{ Hz}$).
- (4) Disconnect the short wire.

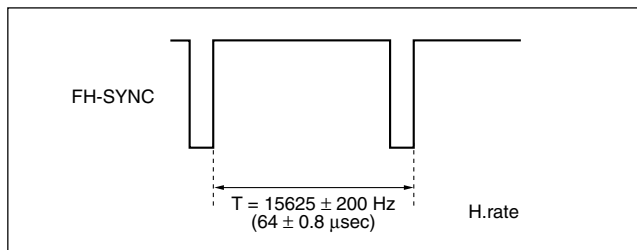


Fig. 3-6-2 Fh VCO

3.6.3 DEMOD Fo

| | |
|-------------------|--|
| Signal | • SECAM colour bar |
| Mode | • EE |
| Equipment | • Oscilloscope |
| Measurement point | • TP4 round (R-Y) • TP5 round (B-Y) |
| Adjustment part | • L5 (DEMOM Fo-1) • L2 (DEMOM Fo-2) |
| Specification | • Equalize |

- (1) Connect an oscilloscope to TP4 round (R-Y).
- (2) Adjust L5 so that the blanking level of the R-Y waveform is near to the pedestal level as shown in Fig. 3-6-3. (L5 is turned to the right side and turned over the 90°, but the blanking level does not match the pedestal level.)

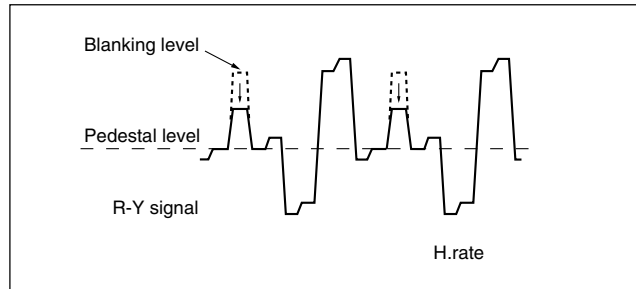


Fig. 3-6-3 DEMOD Fo-1

- (3) Connect an oscilloscope to TP5 round (B-Y), and adjust L2 so that the blanking level of the B-Y waveform is equalized to the pedestal level as shown in Fig. 3-6-4.

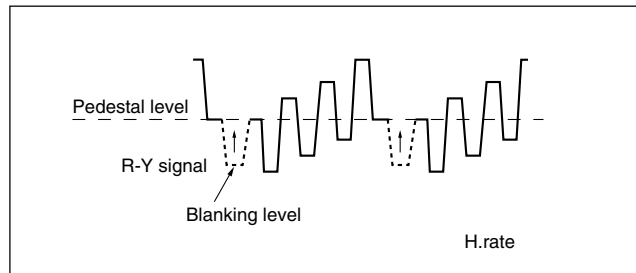


Fig. 3-6-4 DEMOD Fo-2

- (4) Connect an oscilloscope to TP4 round (R-Y), and adjust L5 so that the blanking level of the R-Y waveform is equalized to the pedestal level as shown in Fig. 3-6-5.

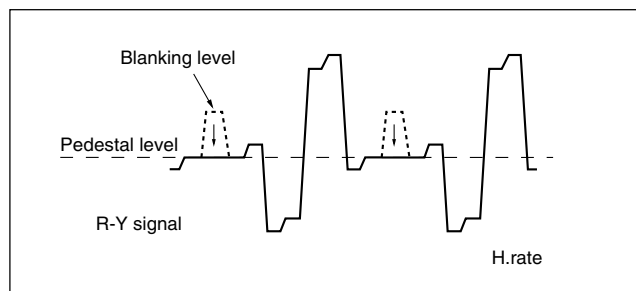


Fig. 3-6-5 DEMOD Fo-3

3.6.4 Colour difference level

| | |
|-------------------|--|
| Signal | • SECAM colour bar |
| Mode | • EE |
| Equipment | • Oscilloscope |
| Measurement point | • TP4 round (R-Y) • TP5 round (B-Y) |
| Adjustment part | • VR3 (R-Y ADJ.) • VR4 (B-Y ADJ.) |
| Specification | • 0.72 ± 0.04 Vp-p: VR3 (R-Y) • 0.91 ± 0.04 Vp-p: VR4 (B-Y) |

- (1) Connect an oscilloscope to TP4 round (R-Y).
- (2) Adjust VR3 so that the R-Y level is 0.72 ± 0.04 Vp-p as shown in Fig. 3-6-6.

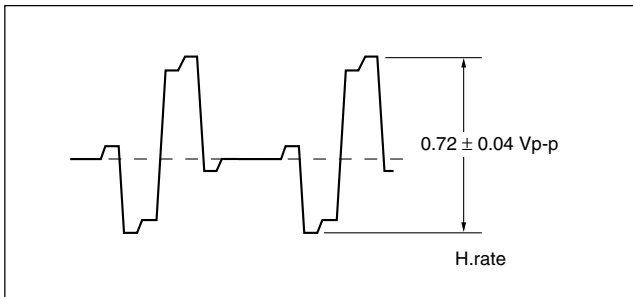


Fig. 3-6-6 R-Y level

- (3) Adjust VR4 so that the B-Y level is 0.91 ± 0.04 Vp-p as shown in Fig. 3-6-7.

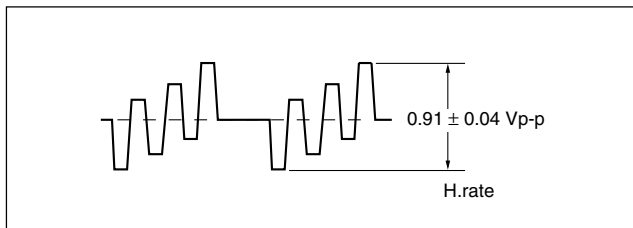


Fig. 3-6-7 B-Y level